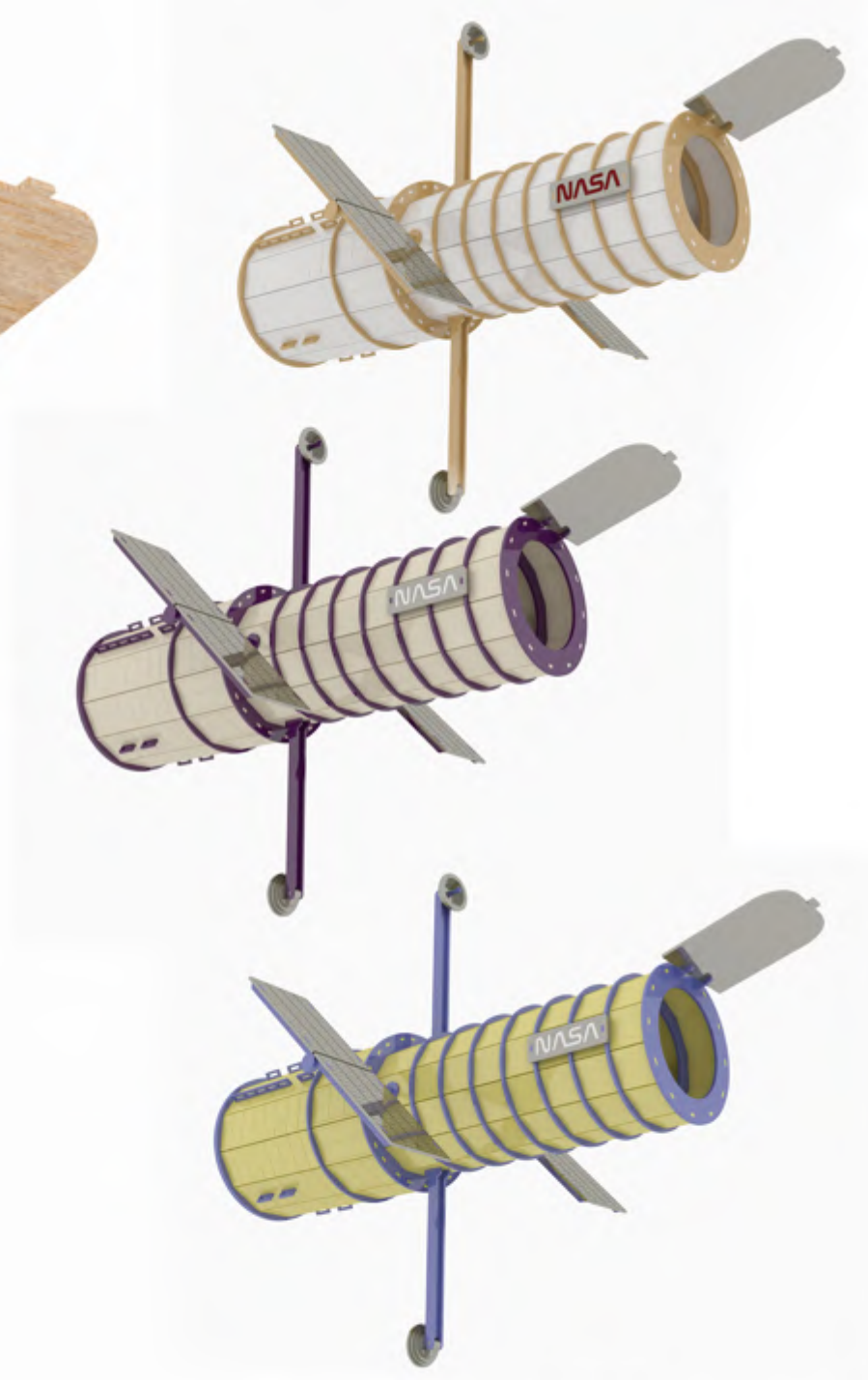
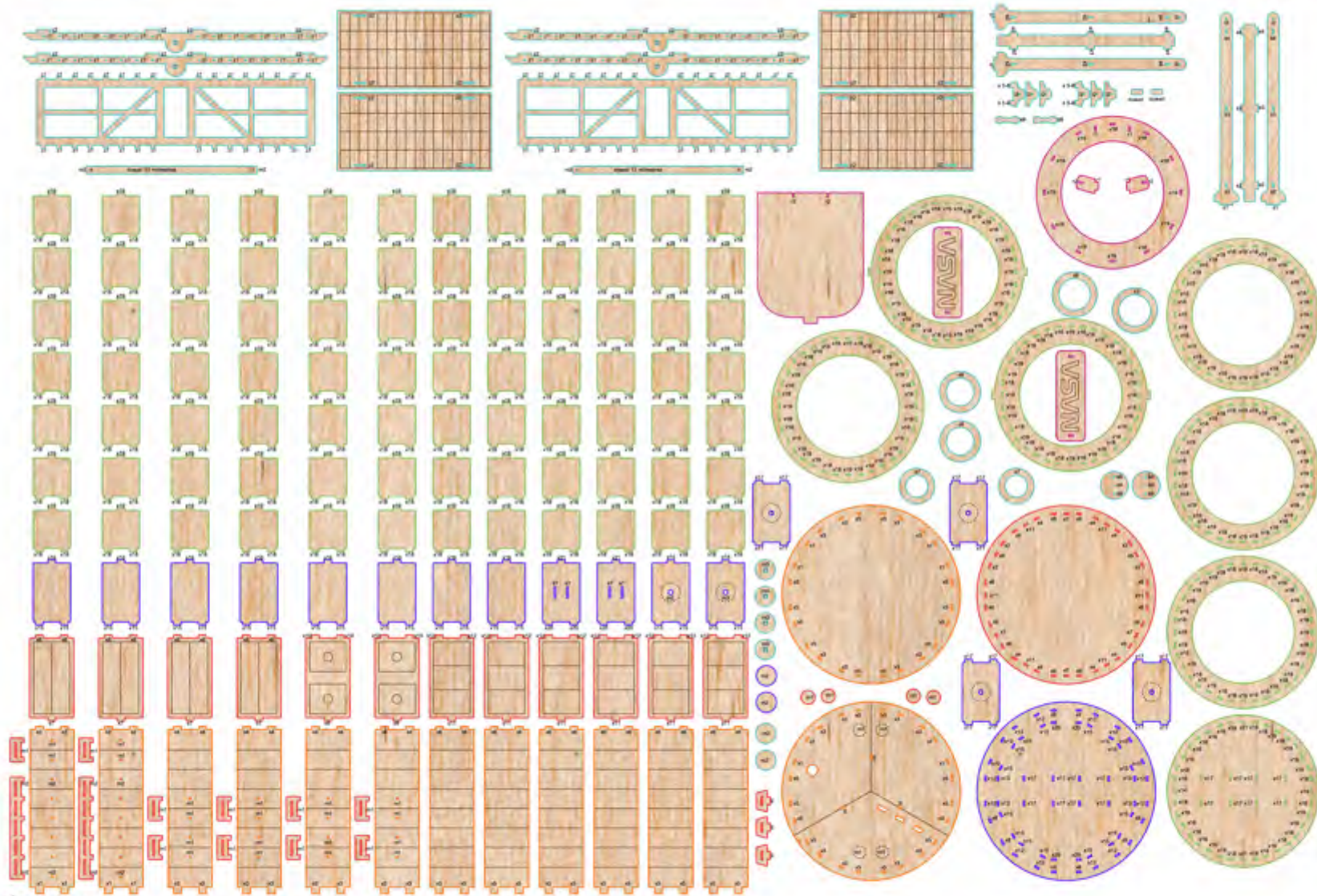




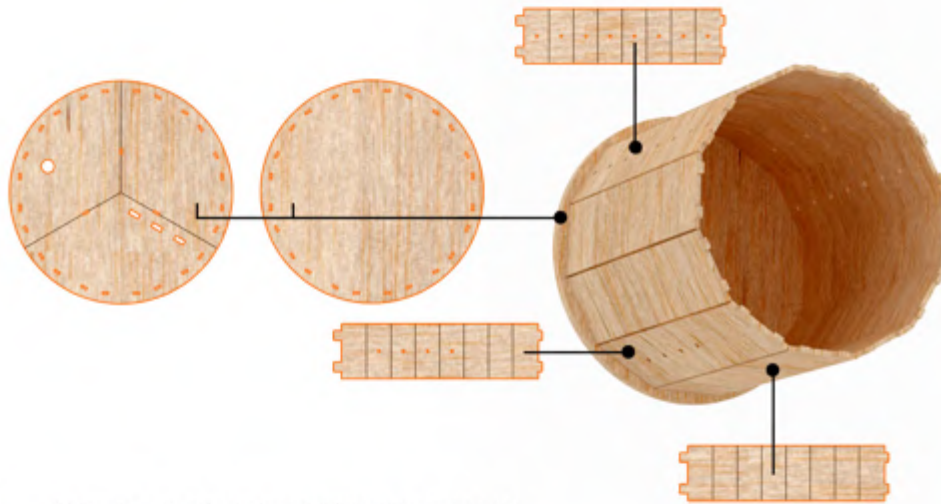
Hubble Telescope





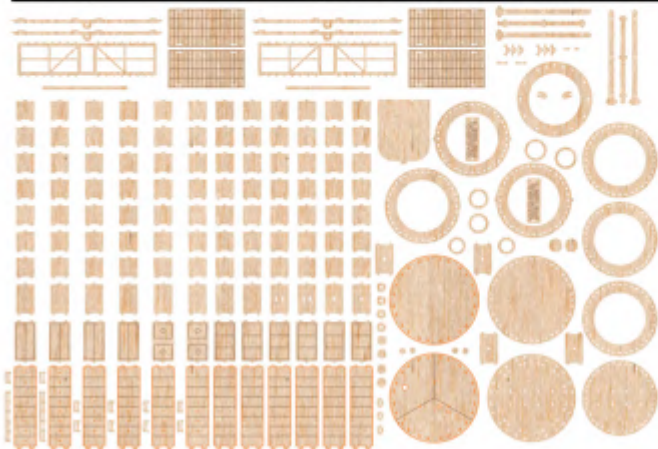
Assembly steps:

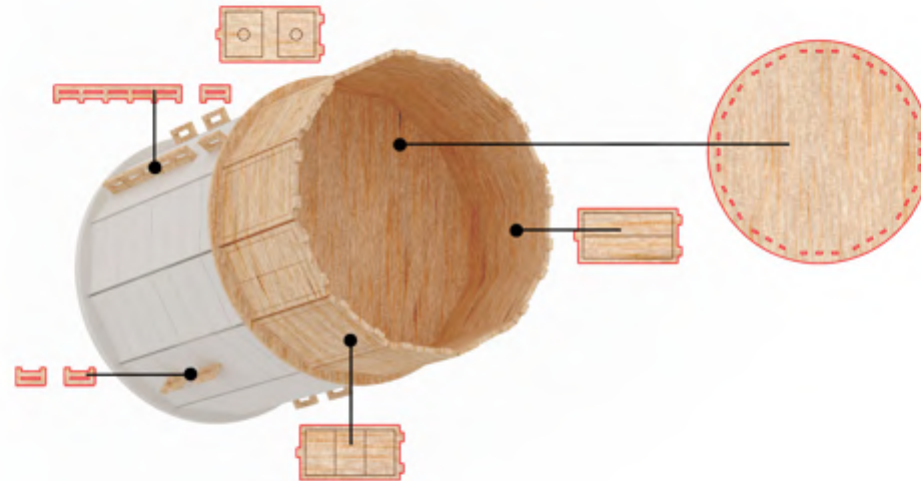
- | | | | | | | | |
|--------|---|--------|---|--------|---|-----------|---|
| STEP 1 |  | STEP 2 |  | STEP 3 |  | ENGRAVING |  |
| STEP 4 |  | STEP 5 |  | STEP 6 |  | | |



Step 1

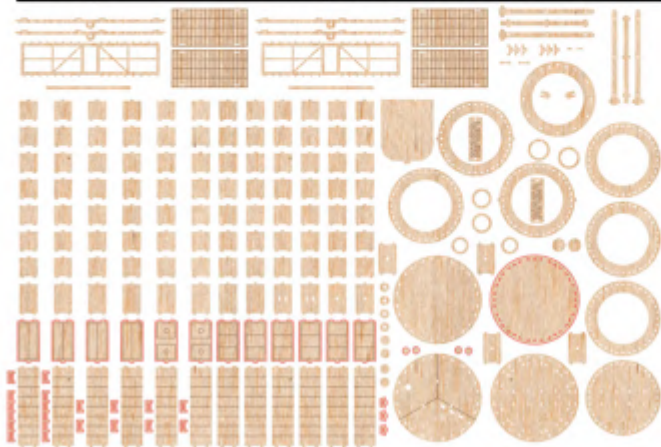
Note: Use glue for better stability of the 3d model.

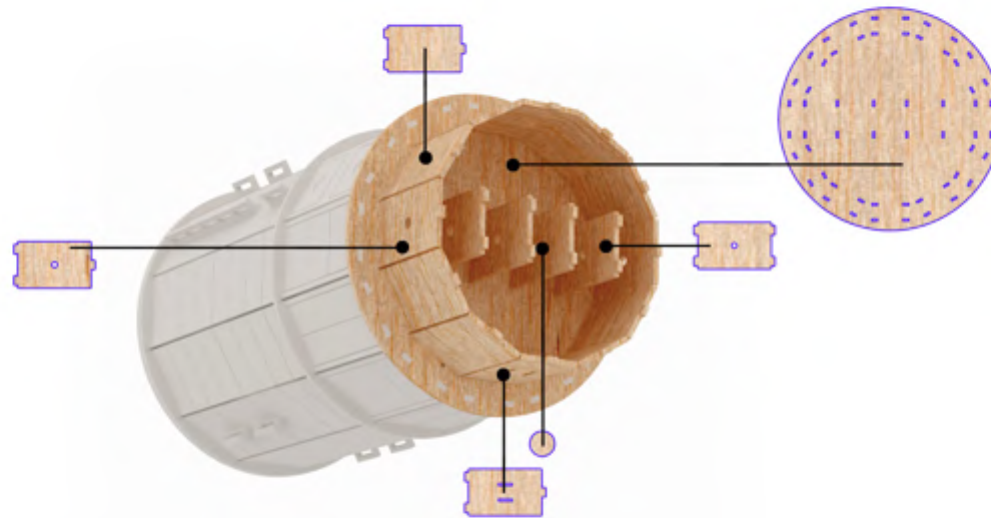




Step 2

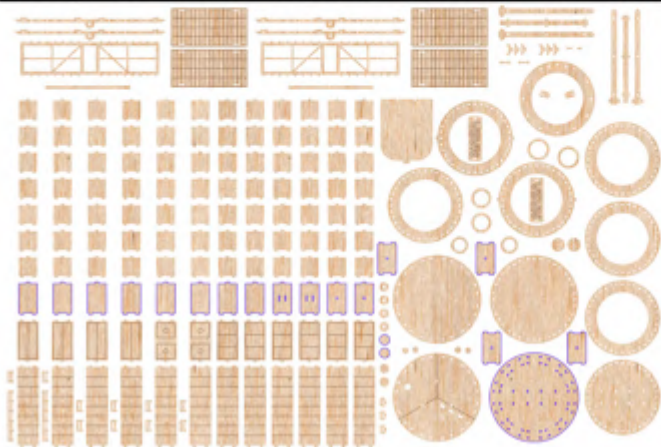
Note: Use glue for better stability of the 3d model.

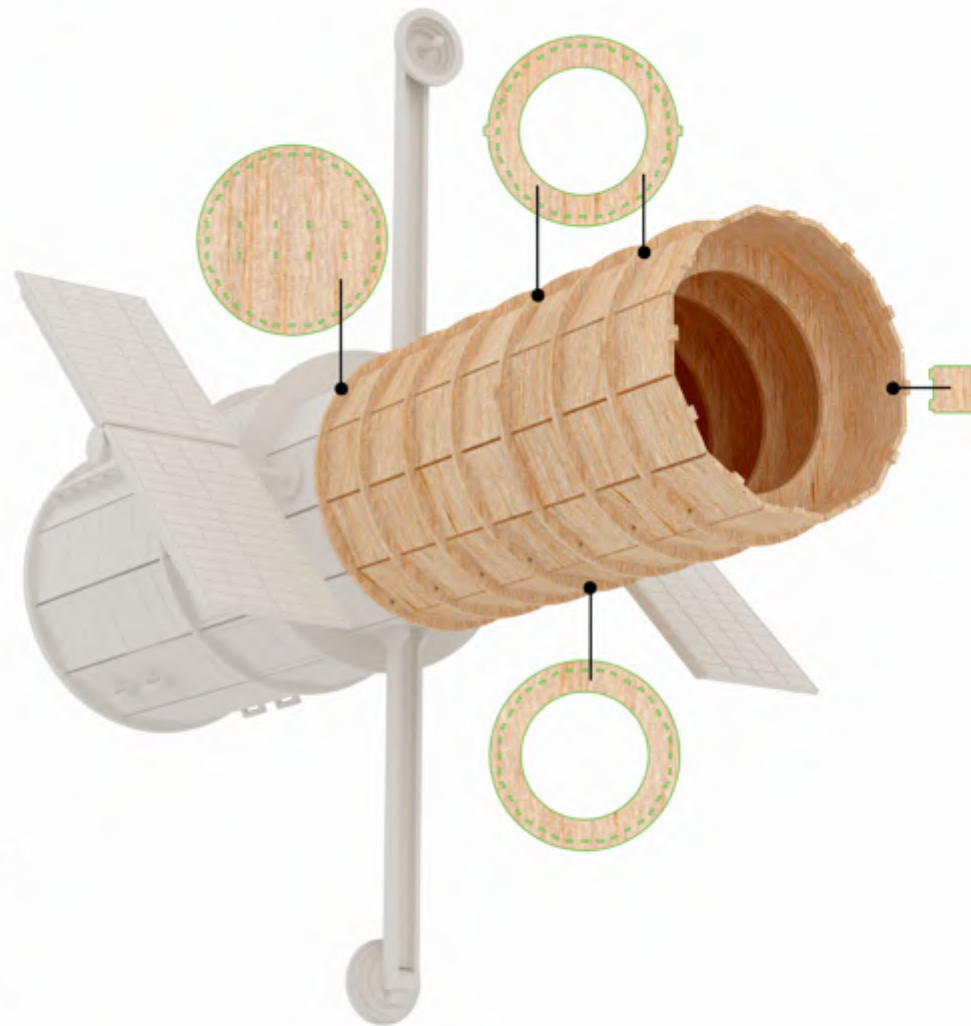




Step 3

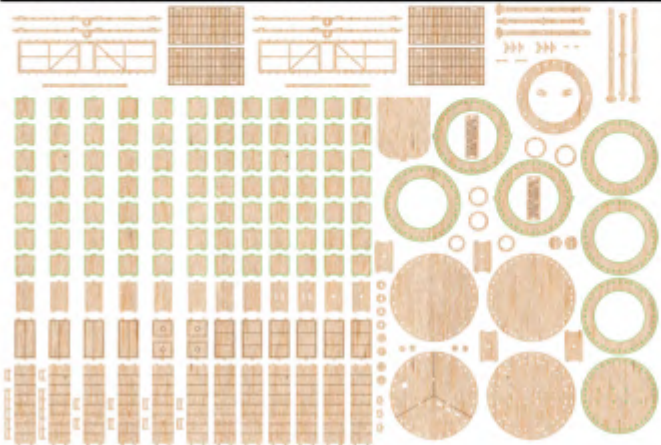
Note: Use glue for better stability of the 3d model.

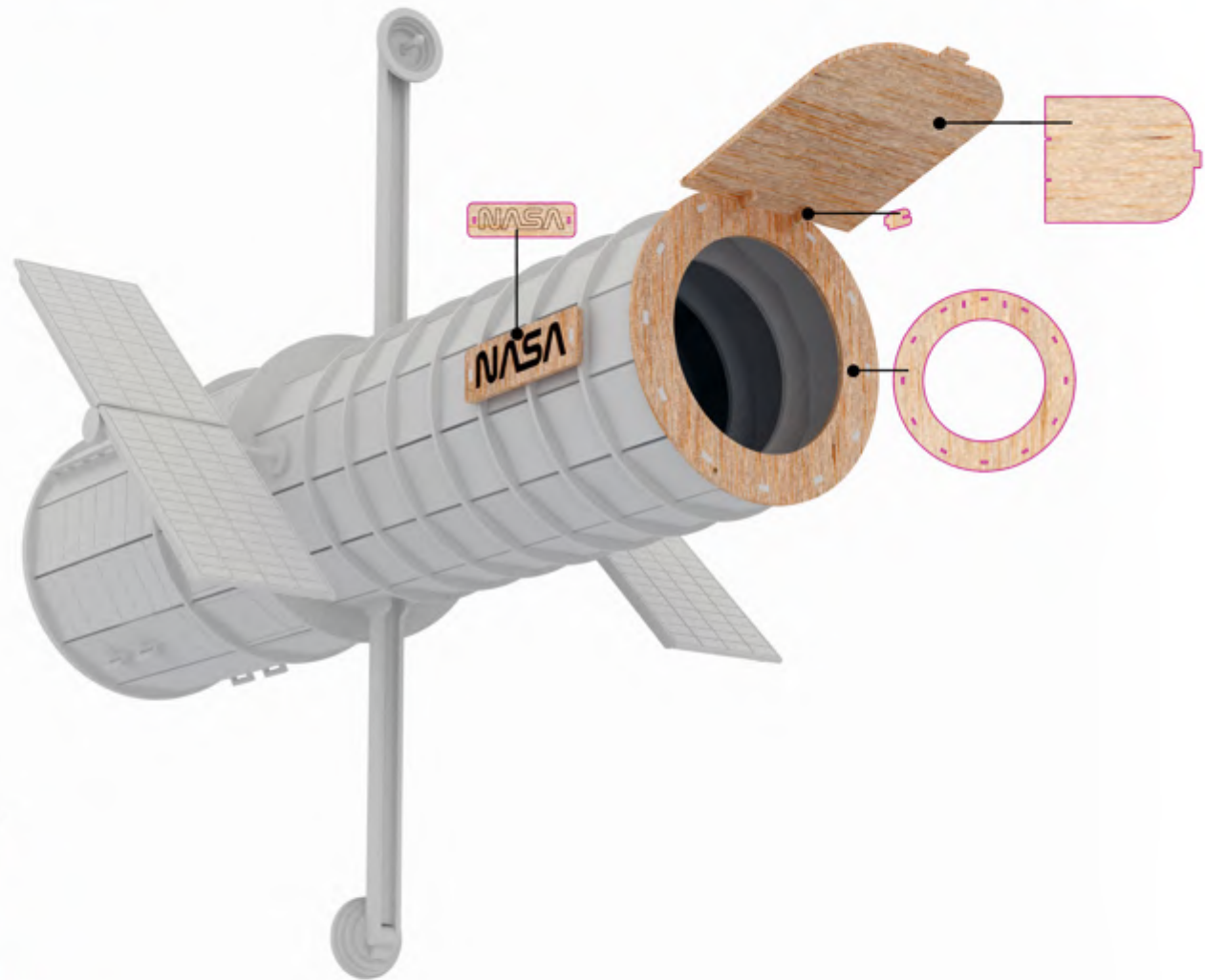




Step 5

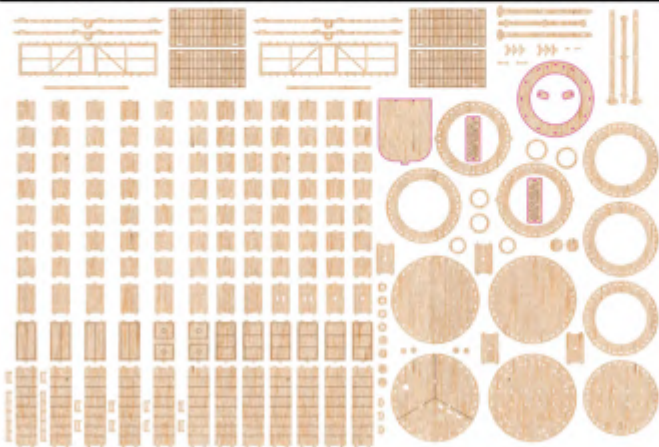
Note: Use glue for better stability of the 3d model.





Step 6

Note: Use glue for better stability of the 3d model.



ASSEMBLY STEPS

