

makeCNC

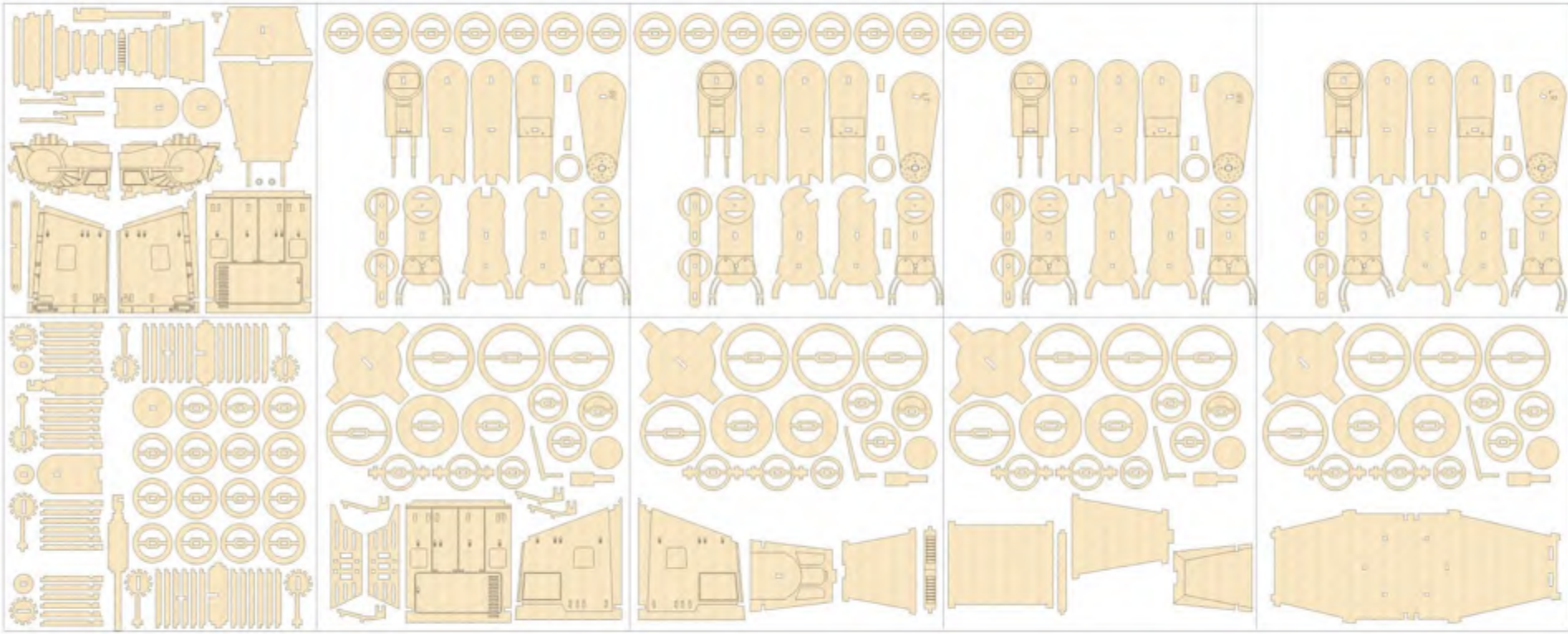


AT-AT WALKER



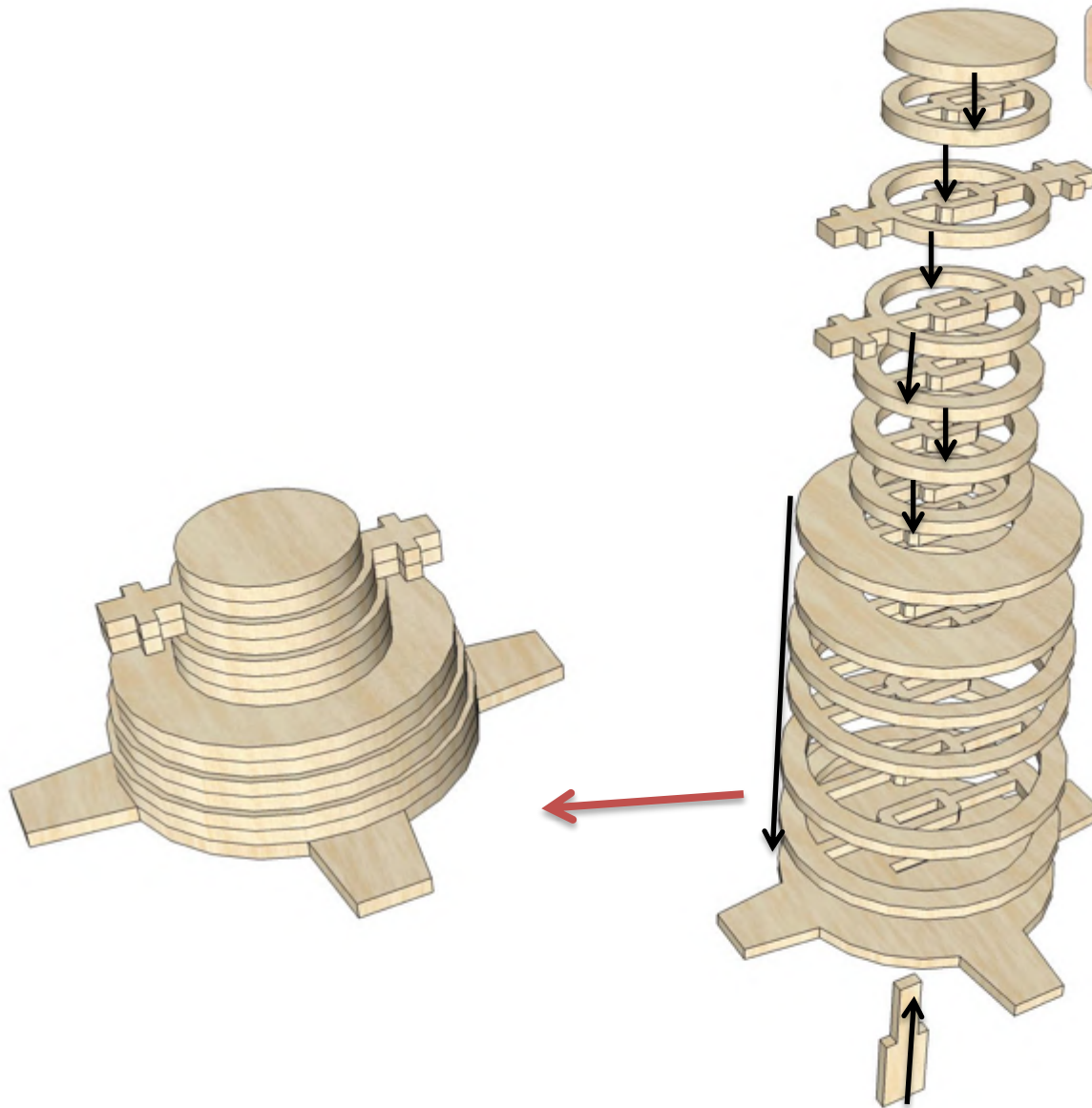
makeCNC
Robotic Tools & other Machines

www.makecnc.com



PARTS LIST

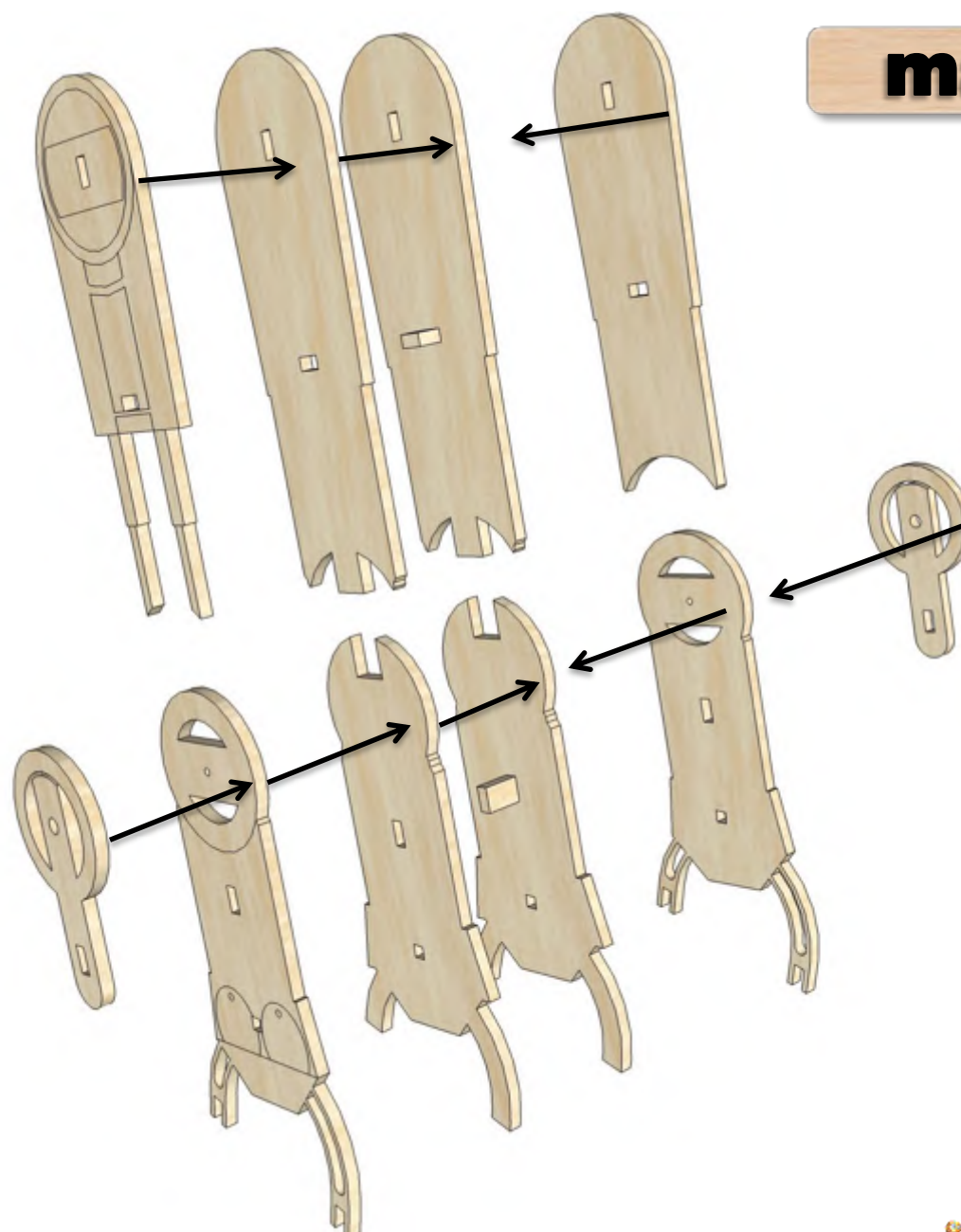




IT IS RECOMMENDED TO GO THROUGH ALL THE PAGES
AND SEE EACH STEP BEFORE STARTING THE ASSEMBLY

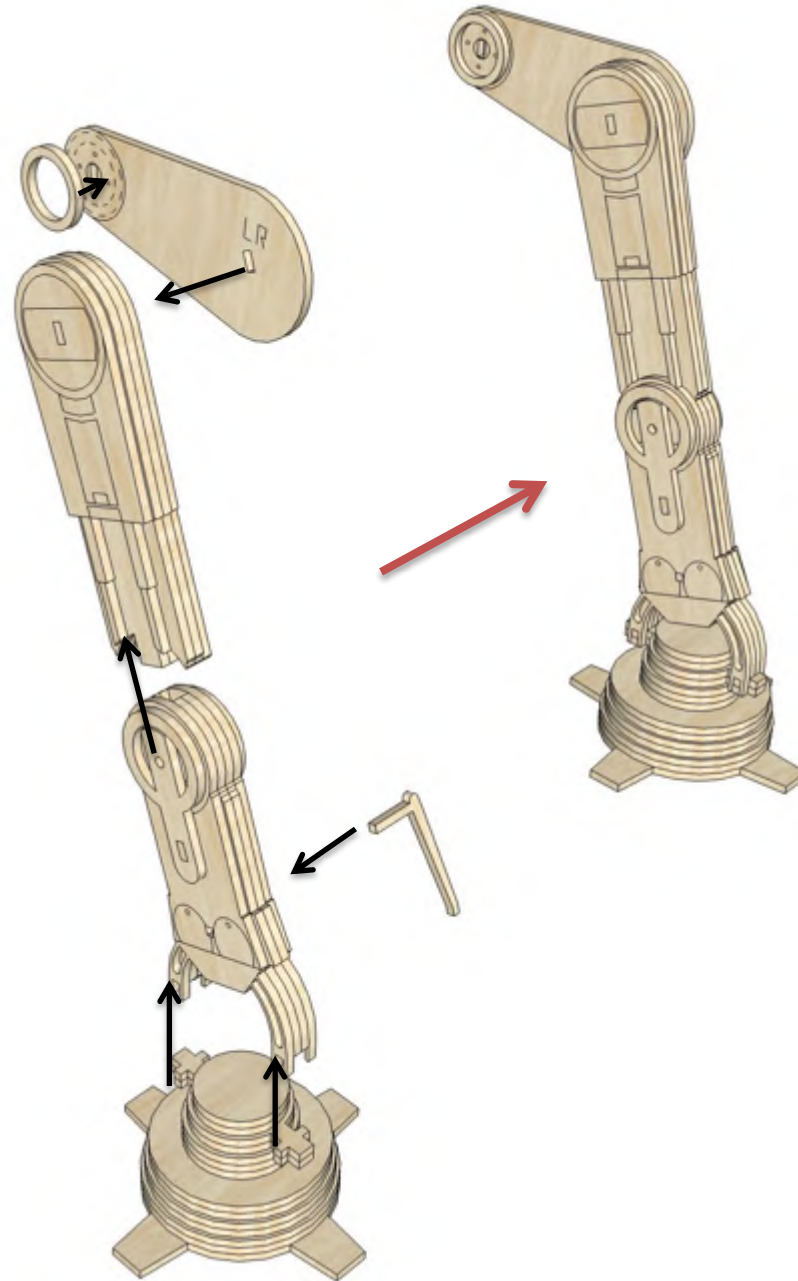
ASSEMBLY STEPS





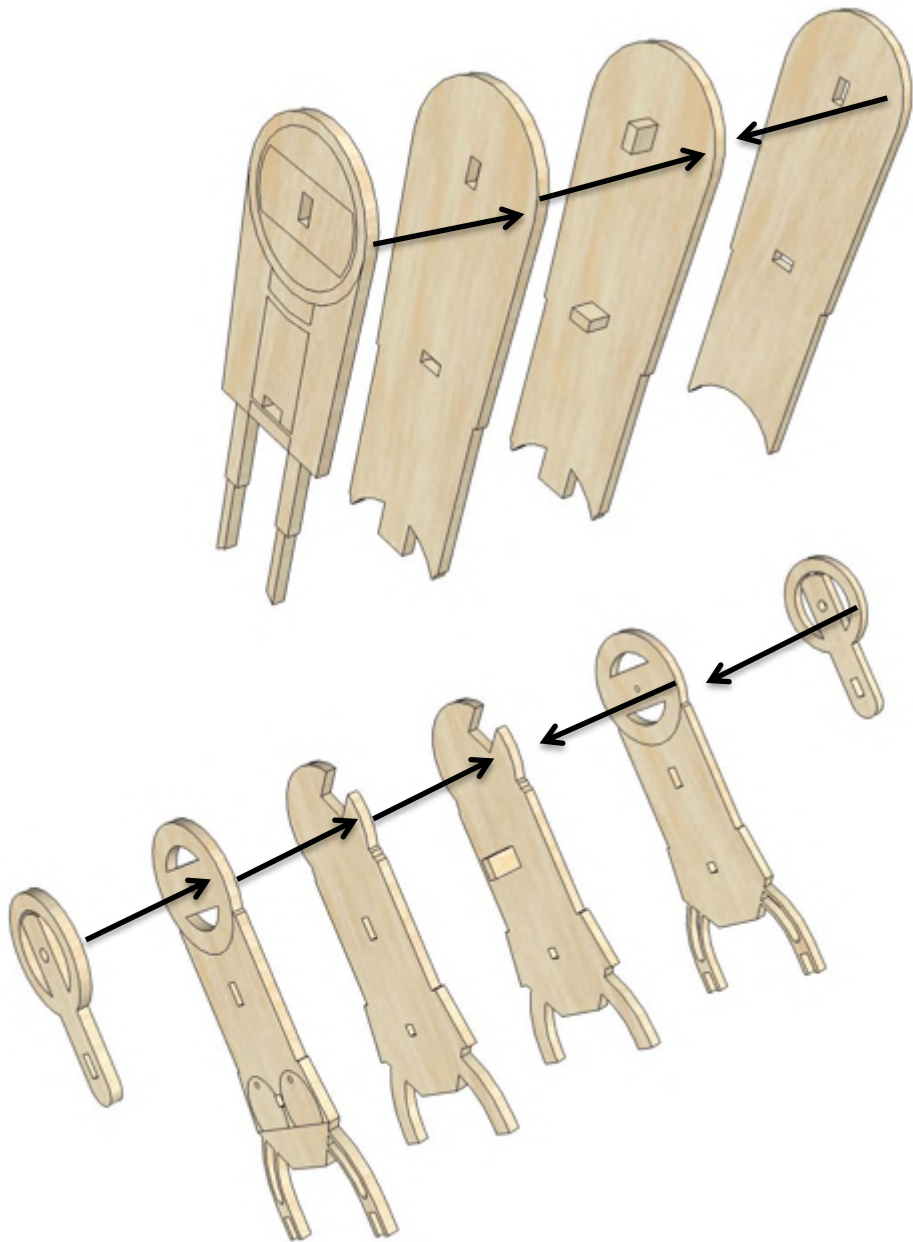
ASSEMBLY STEPS





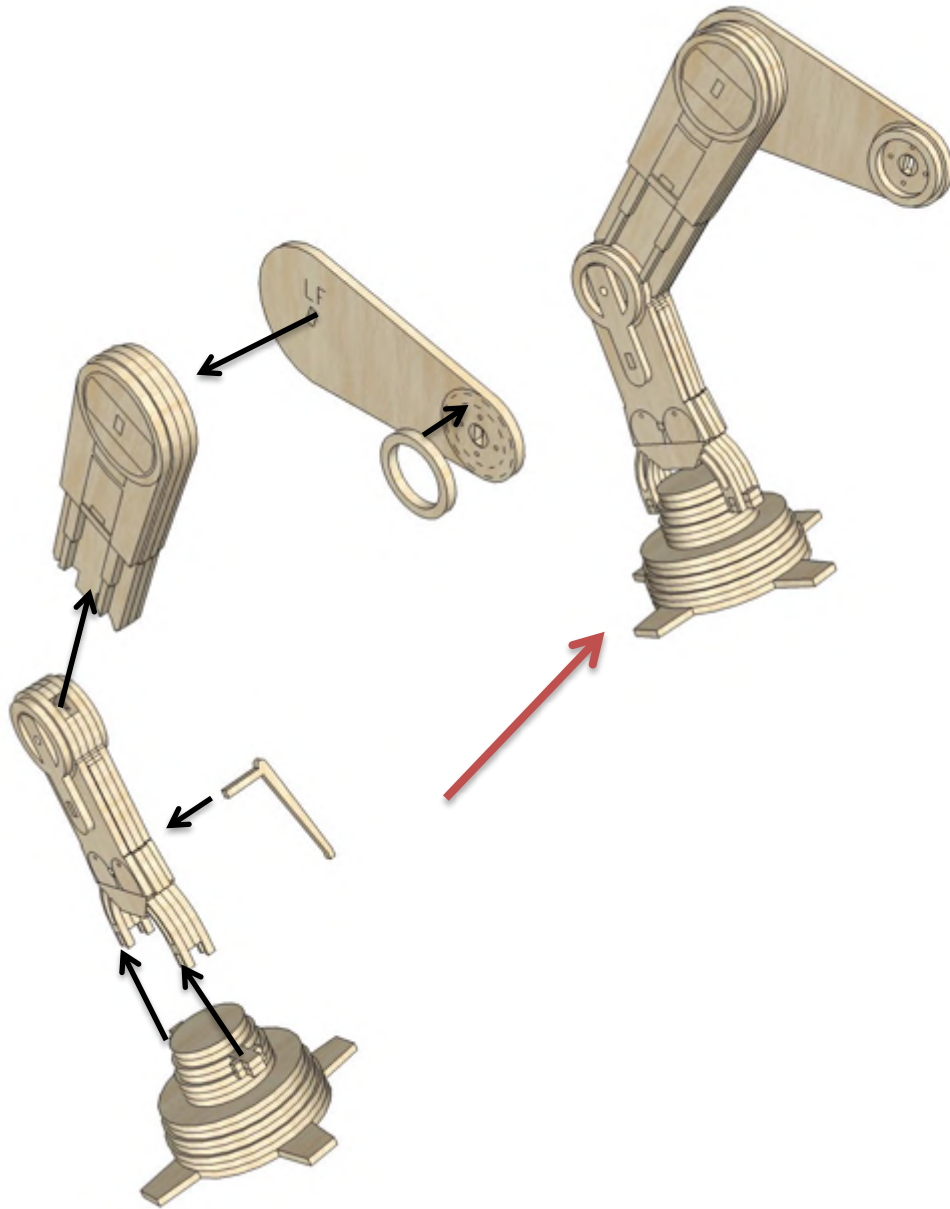
ASSEMBLY STEPS





ASSEMBLY STEPS





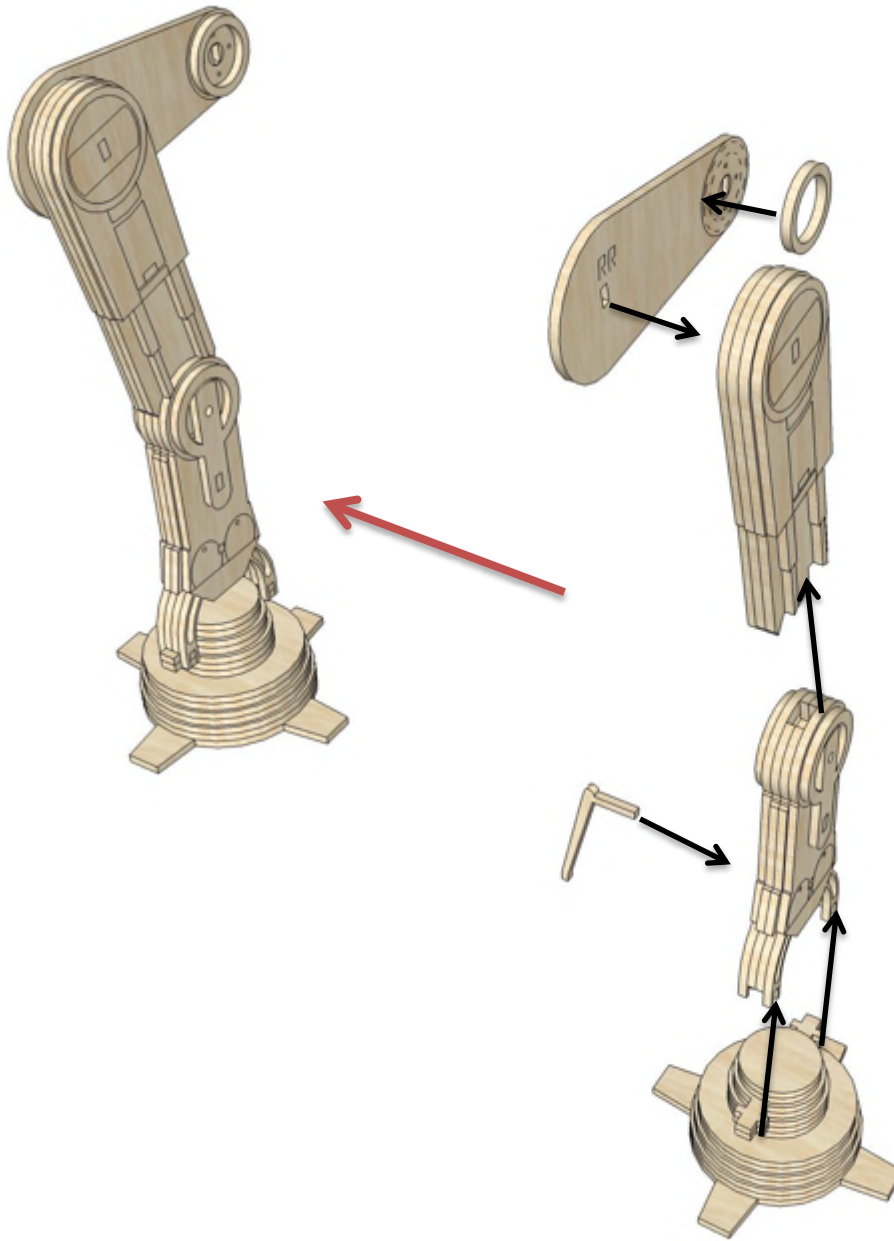
ASSEMBLY STEPS





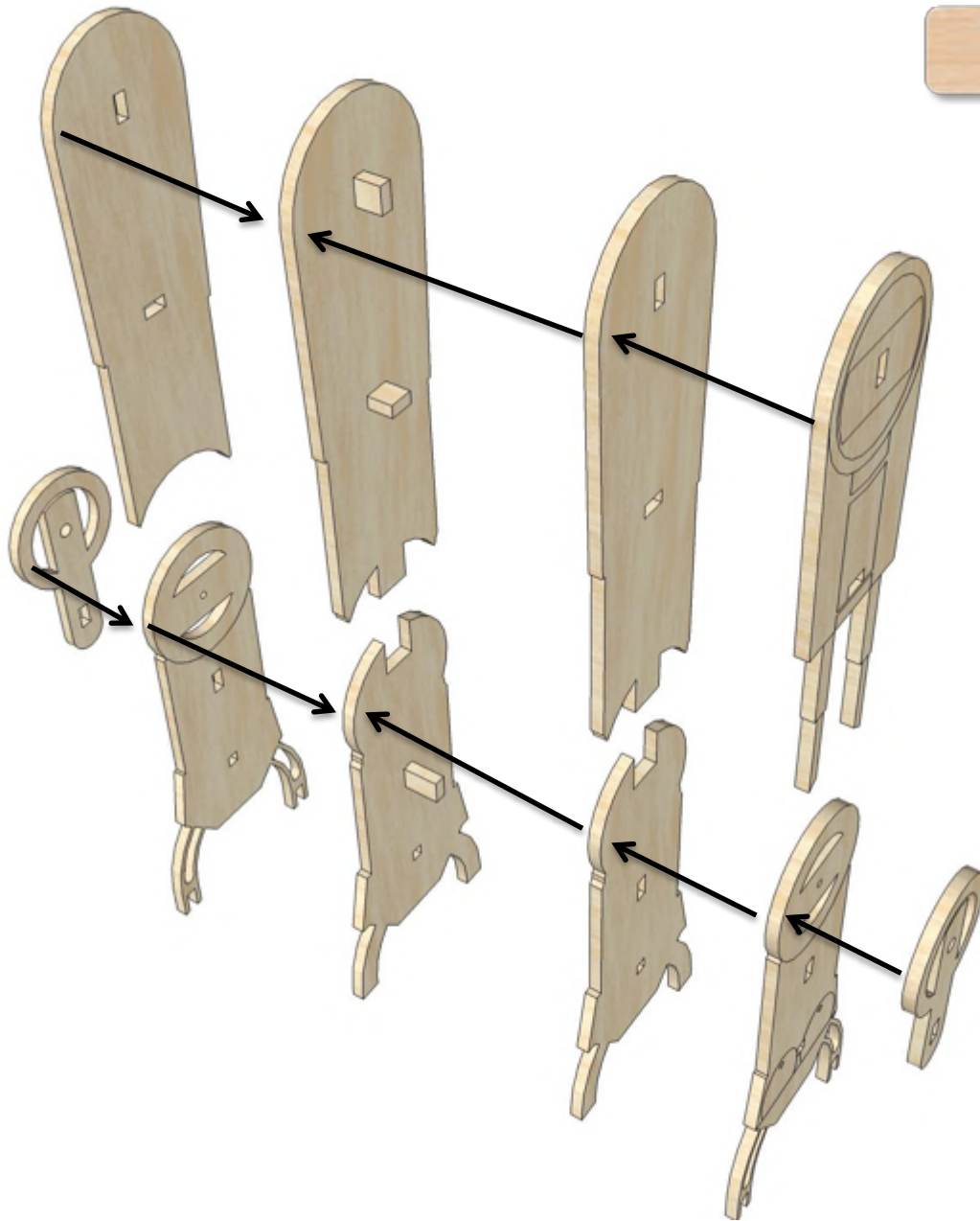
ASSEMBLY STEPS





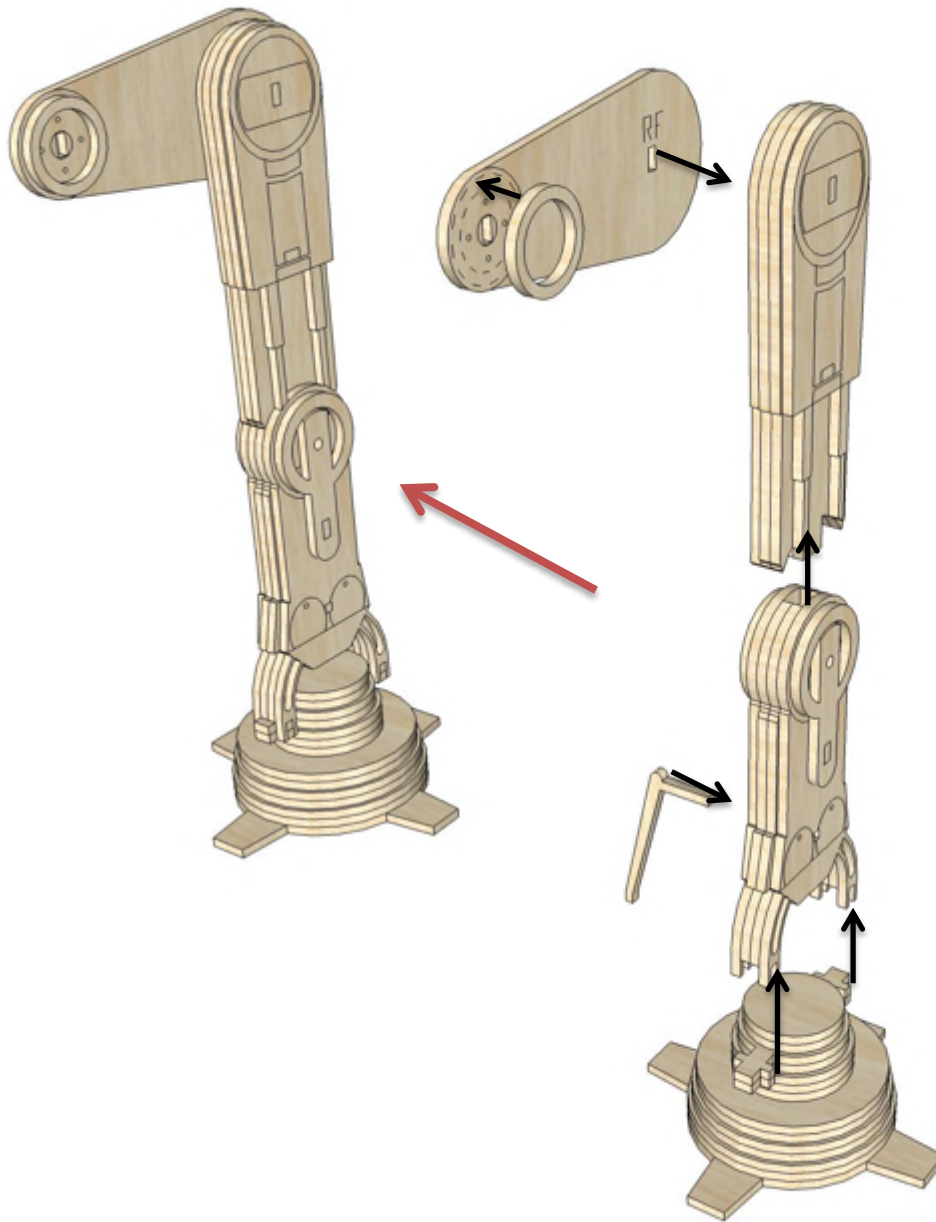
ASSEMBLY STEPS





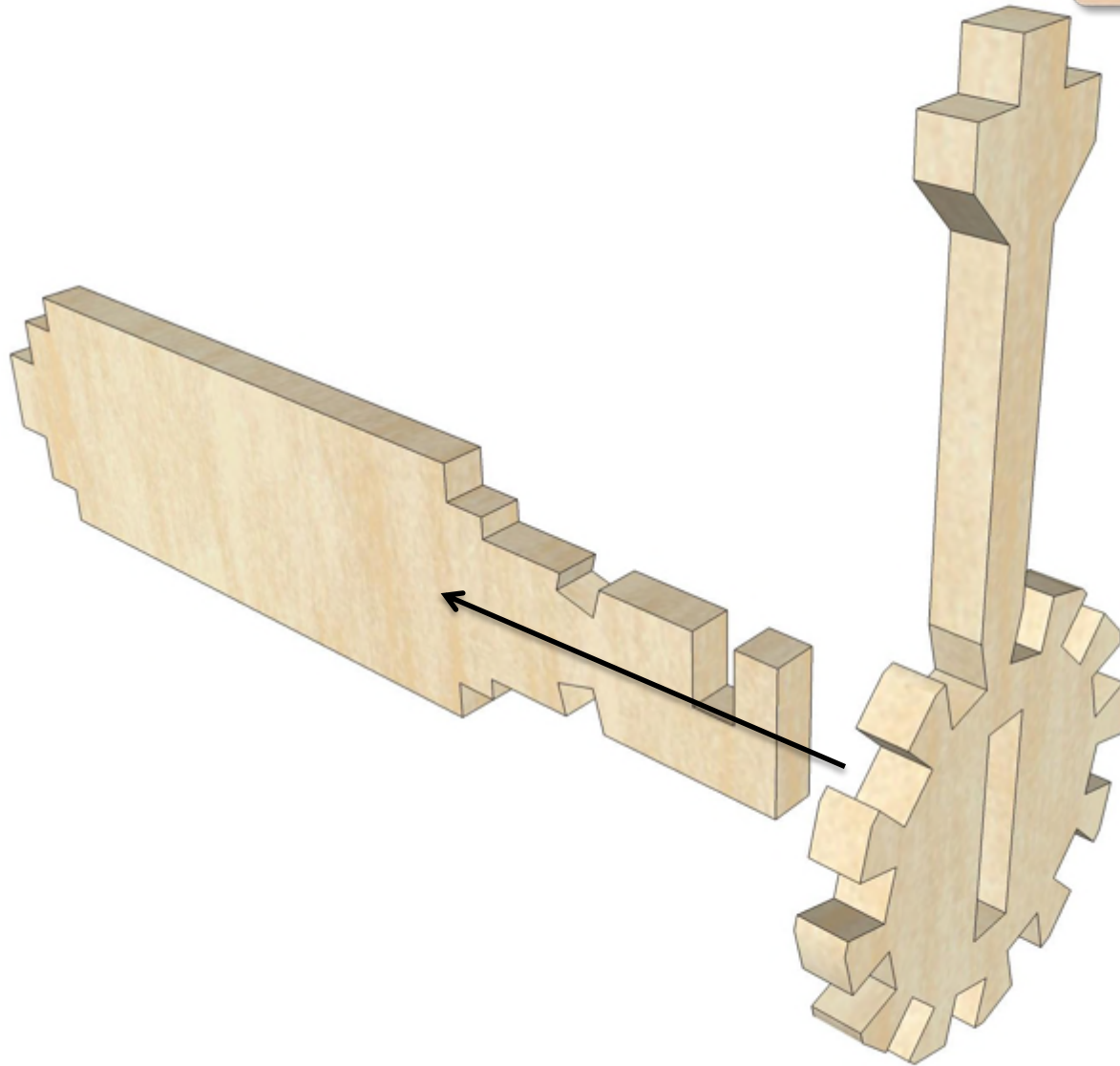
ASSEMBLY STEPS





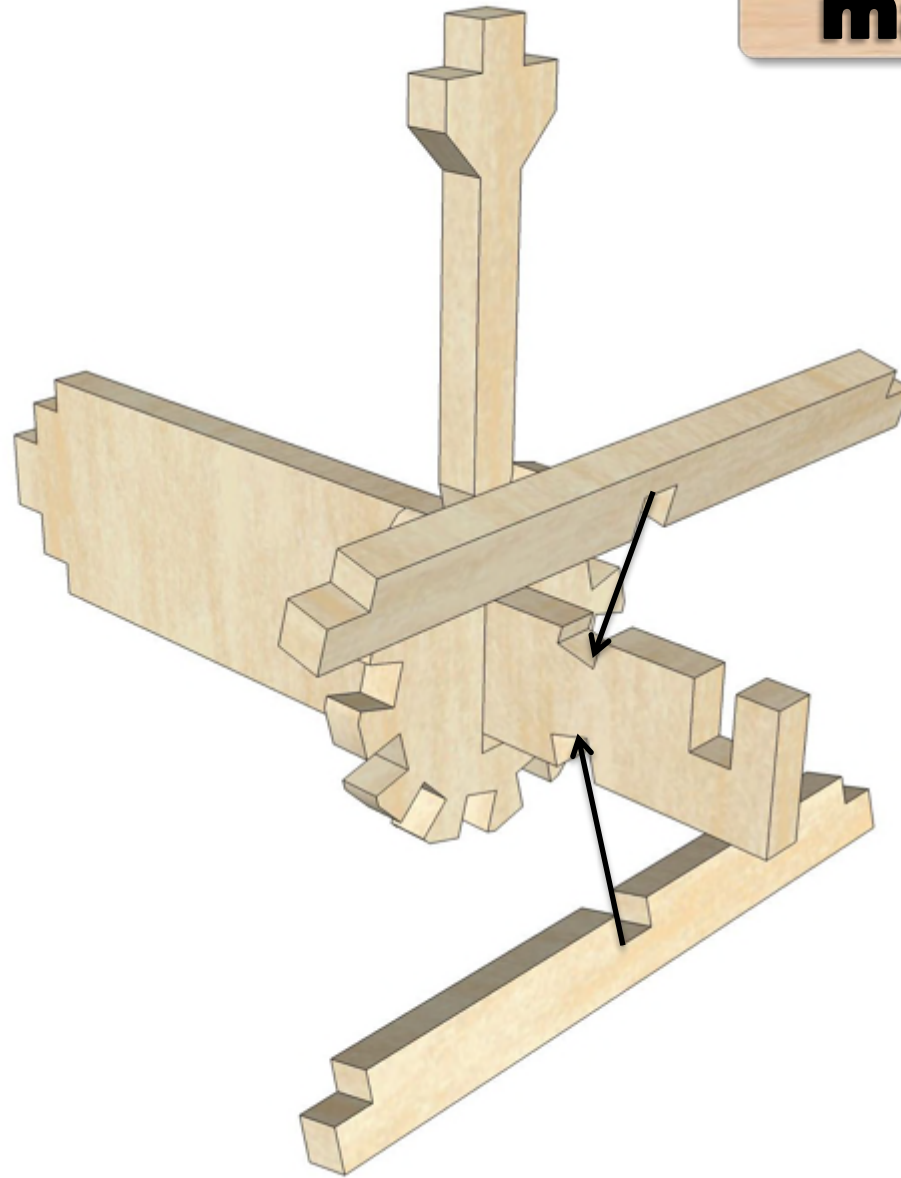
ASSEMBLY STEPS





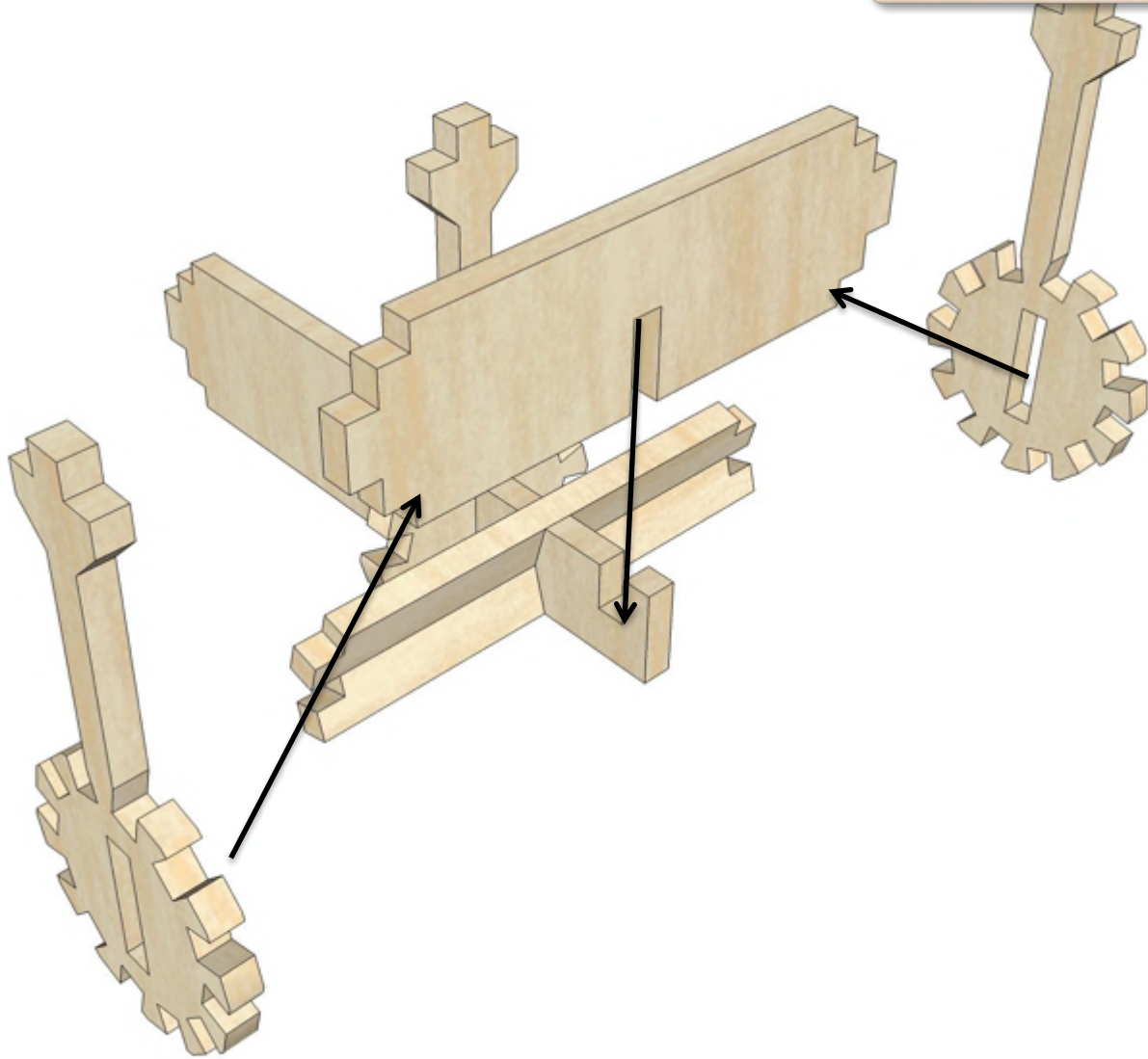
ASSEMBLY STEPS





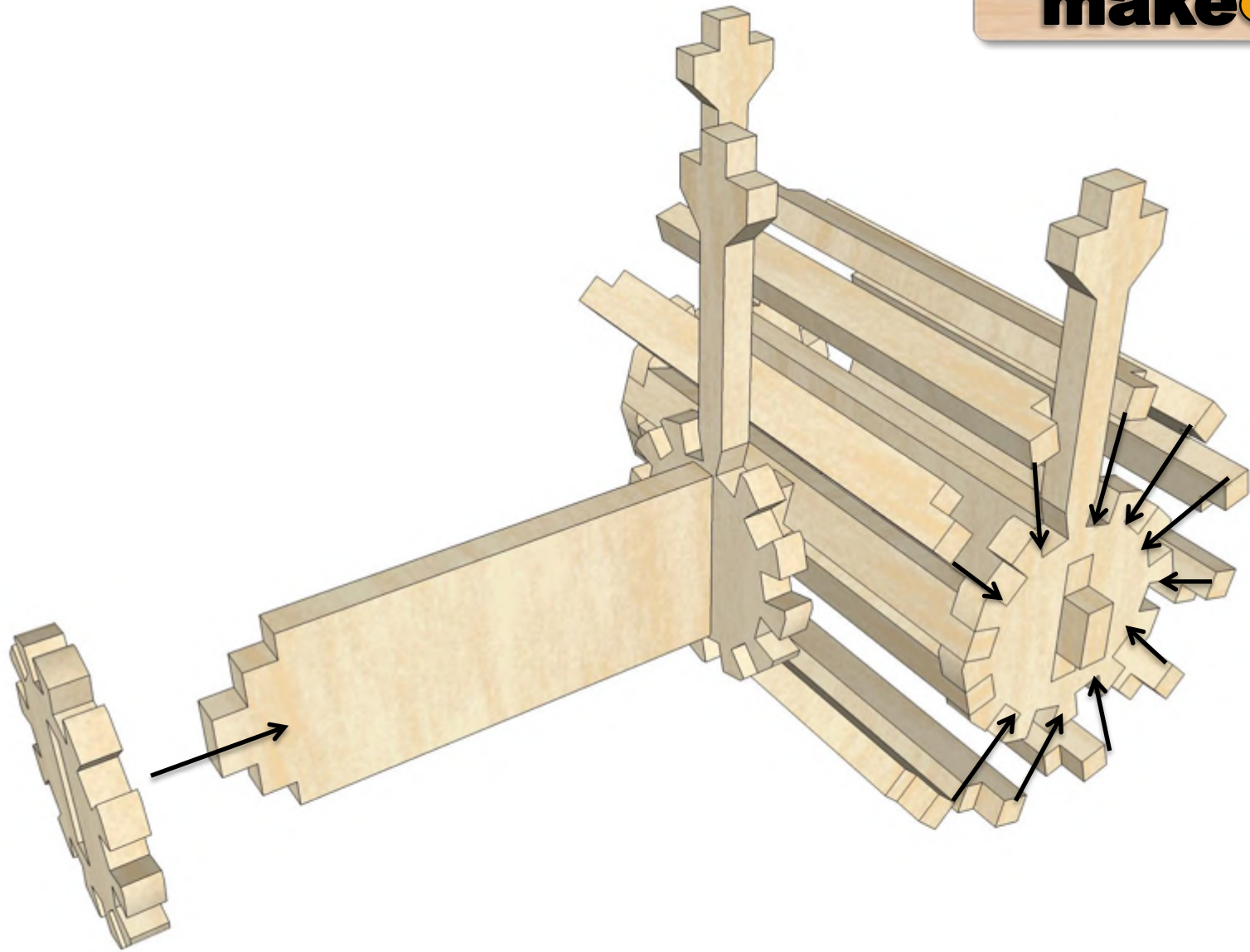
ASSEMBLY STEPS





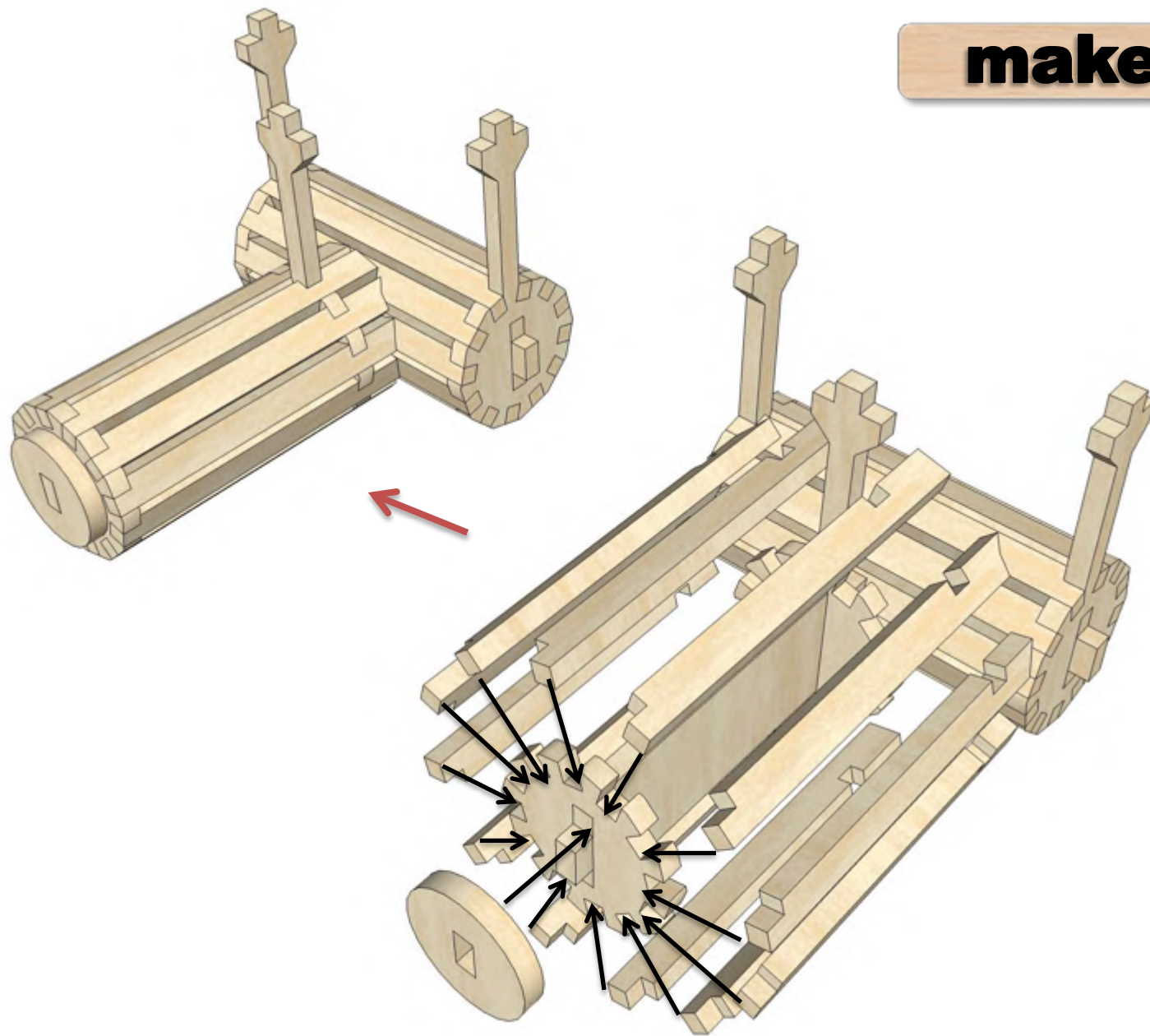
ASSEMBLY STEPS





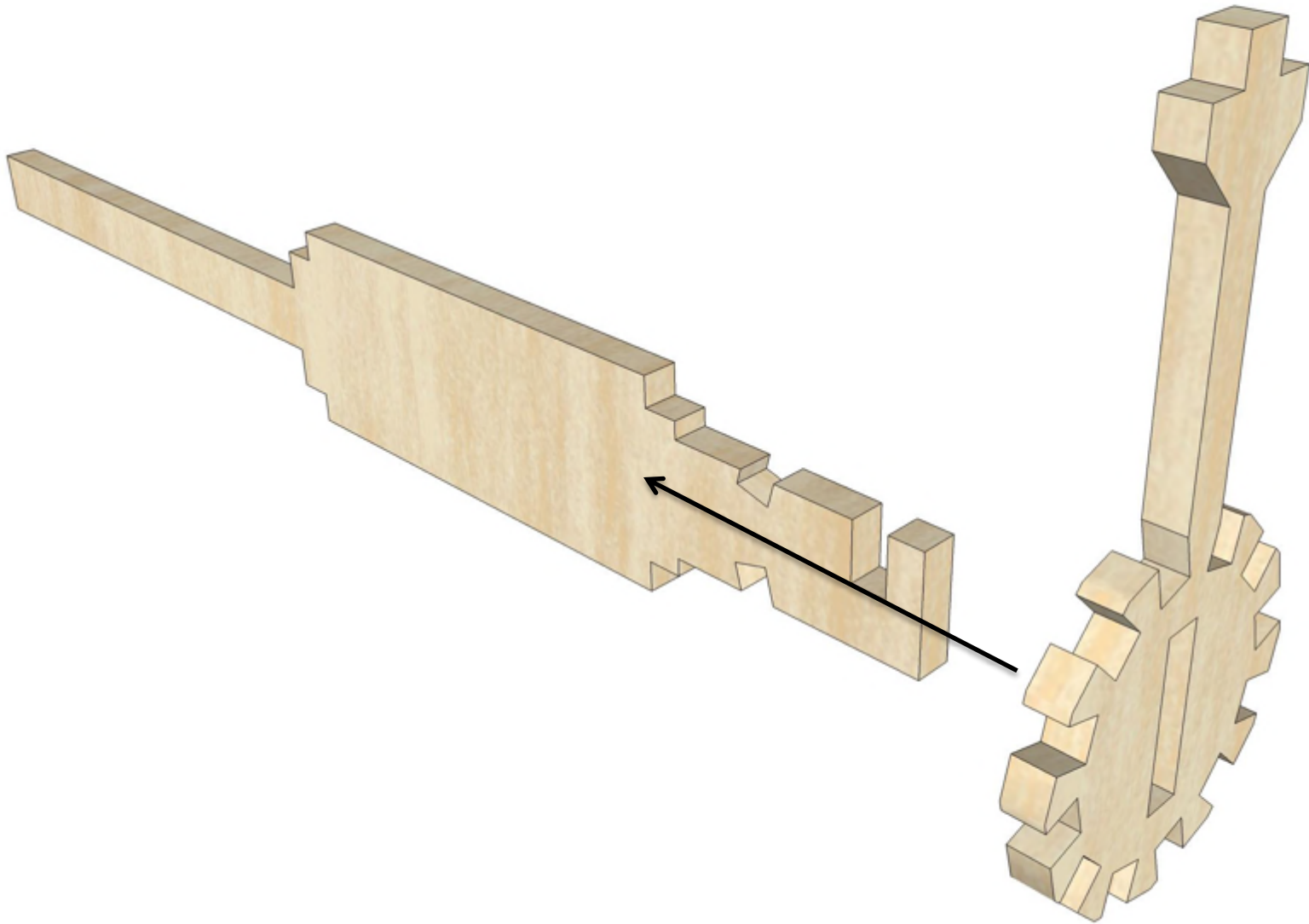
ASSEMBLY STEPS





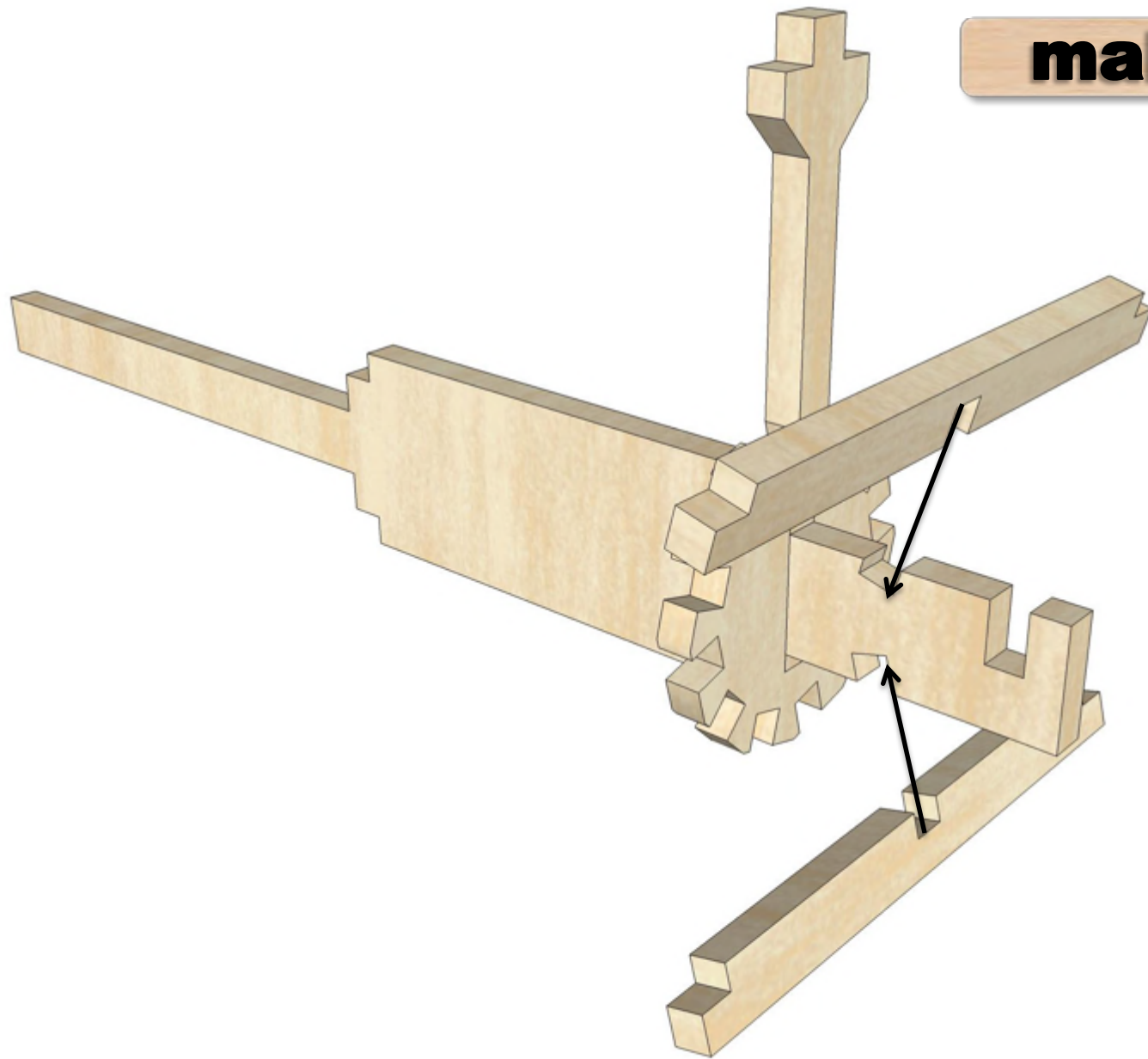
ASSEMBLY STEPS





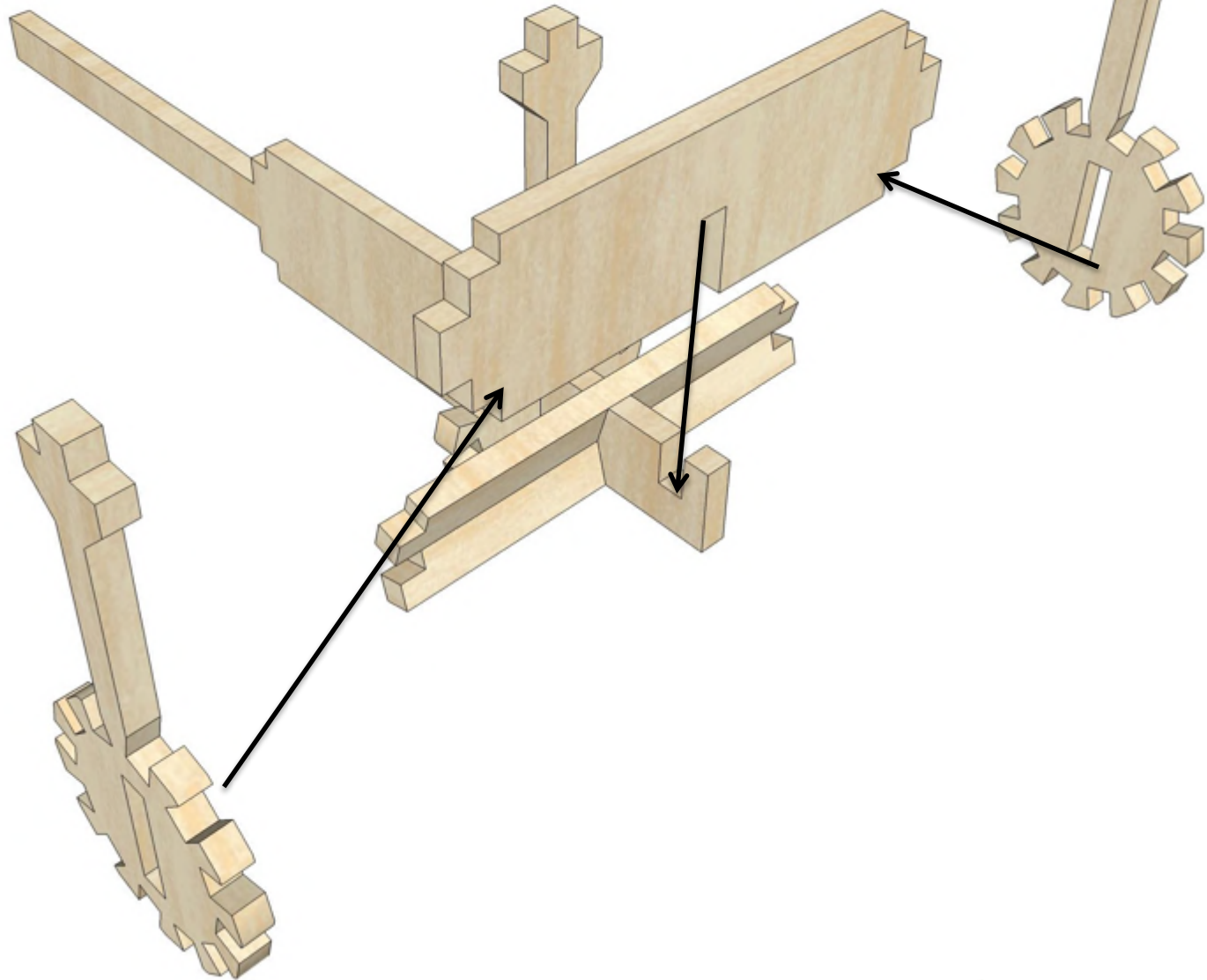
ASSEMBLY STEPS





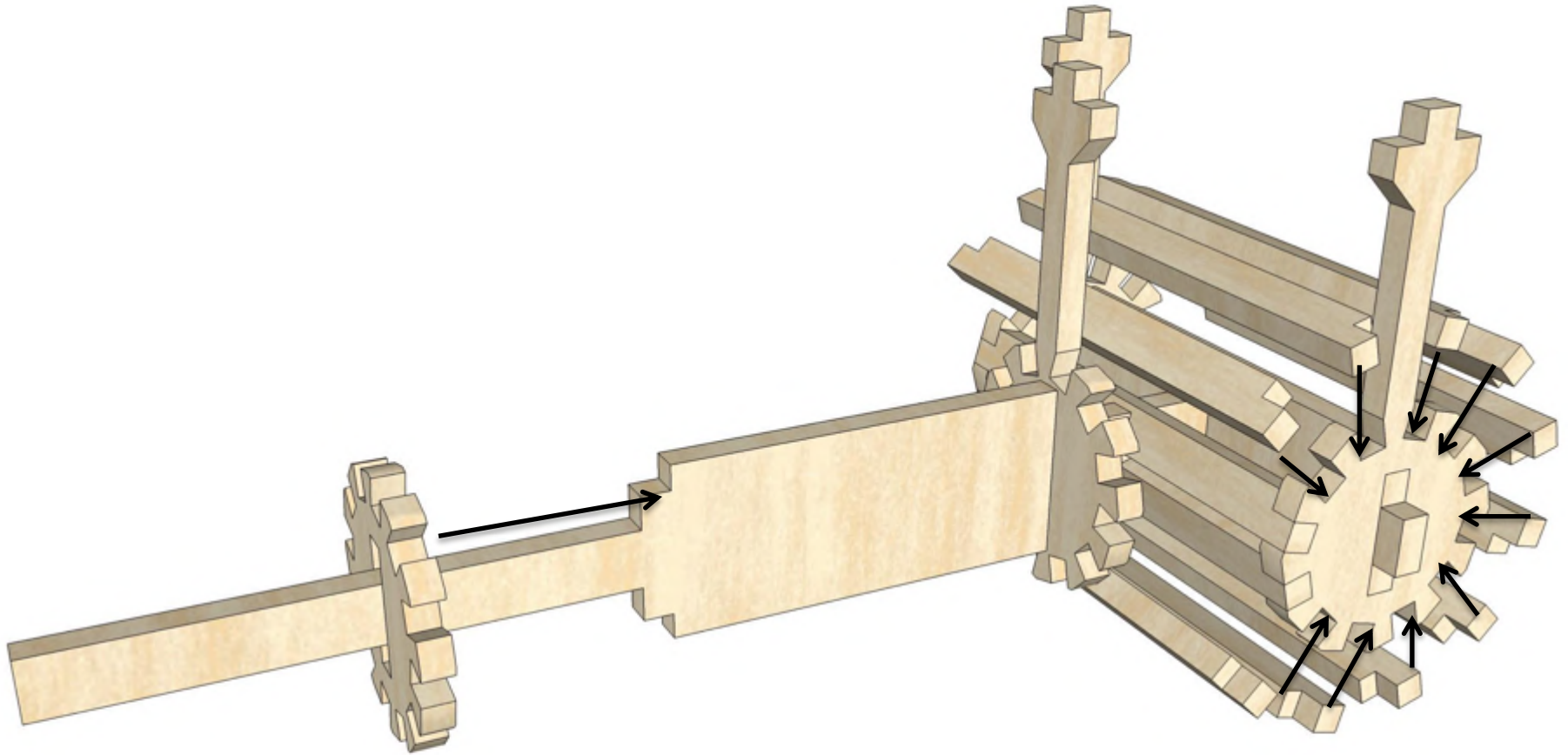
ASSEMBLY STEPS





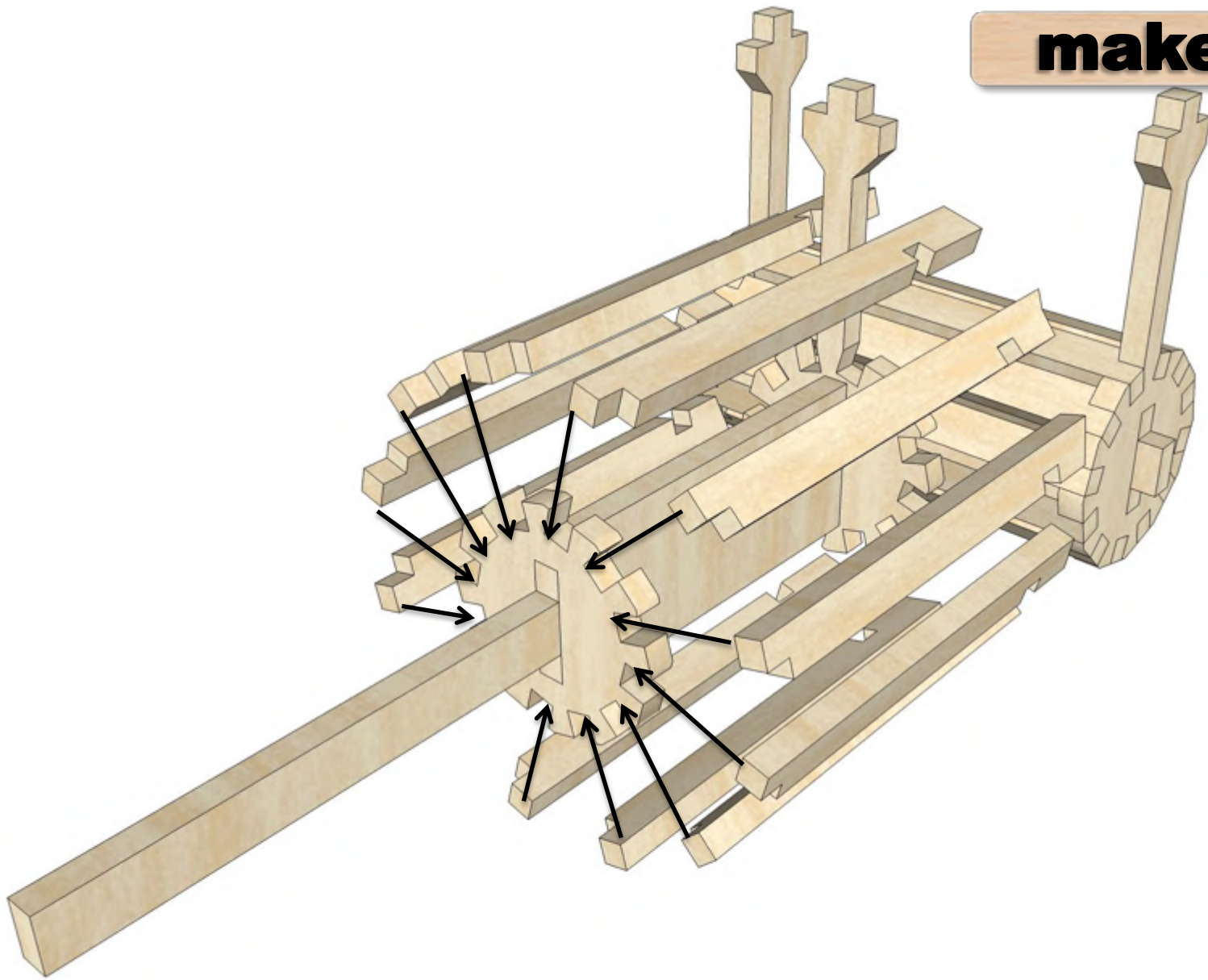
ASSEMBLY STEPS





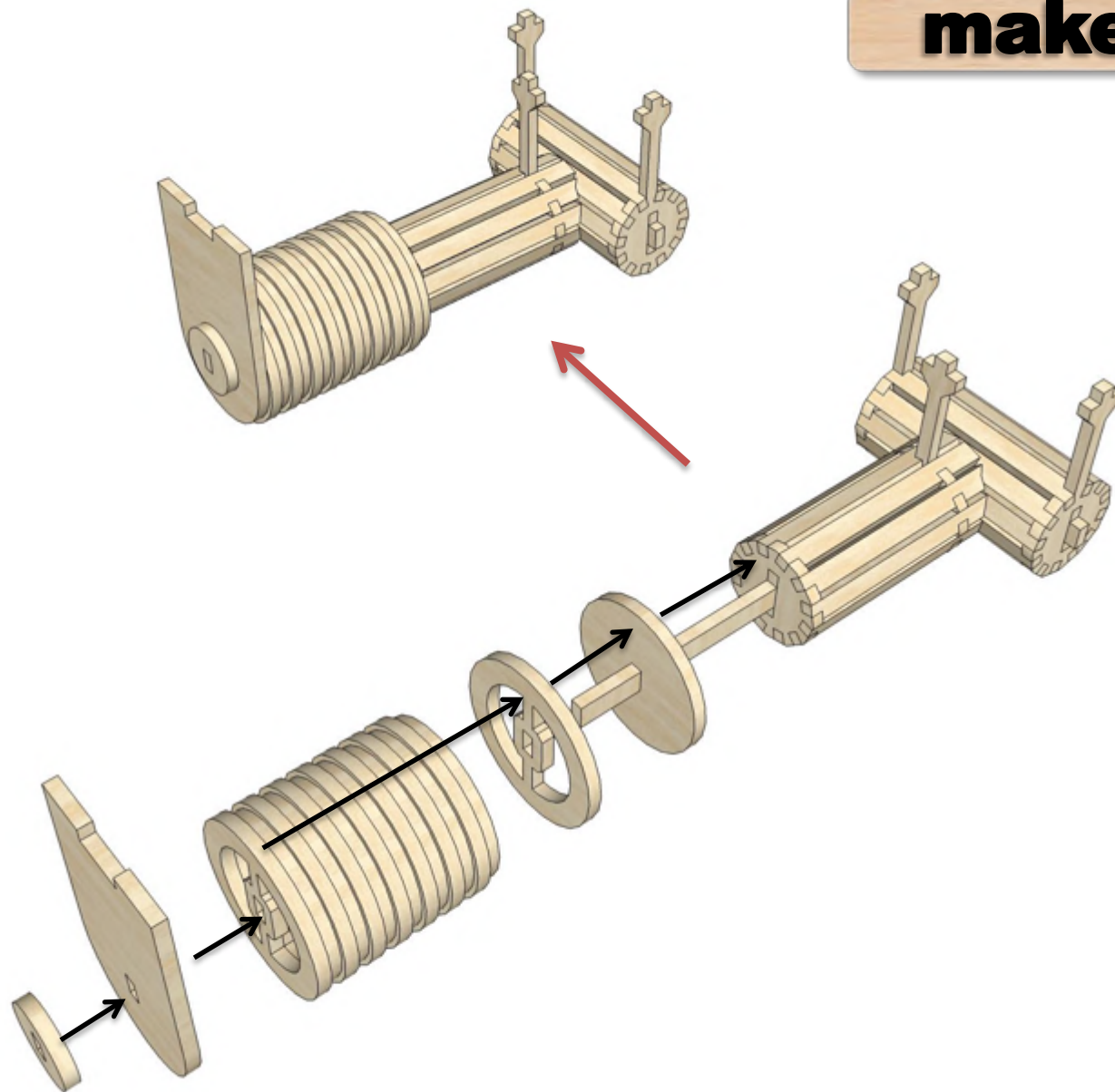
ASSEMBLY STEPS





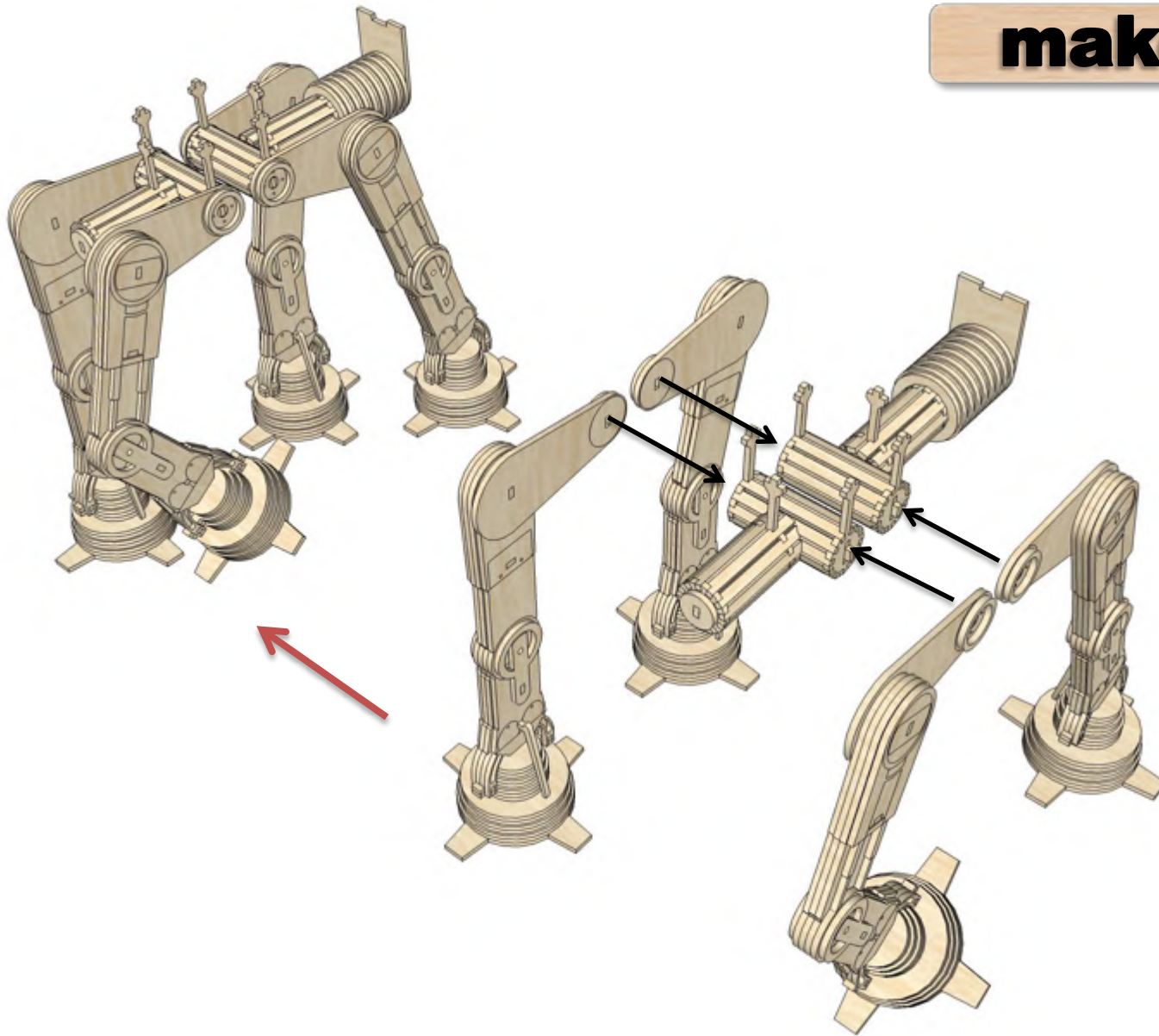
ASSEMBLY STEPS





ASSEMBLY STEPS





ASSEMBLY STEPS





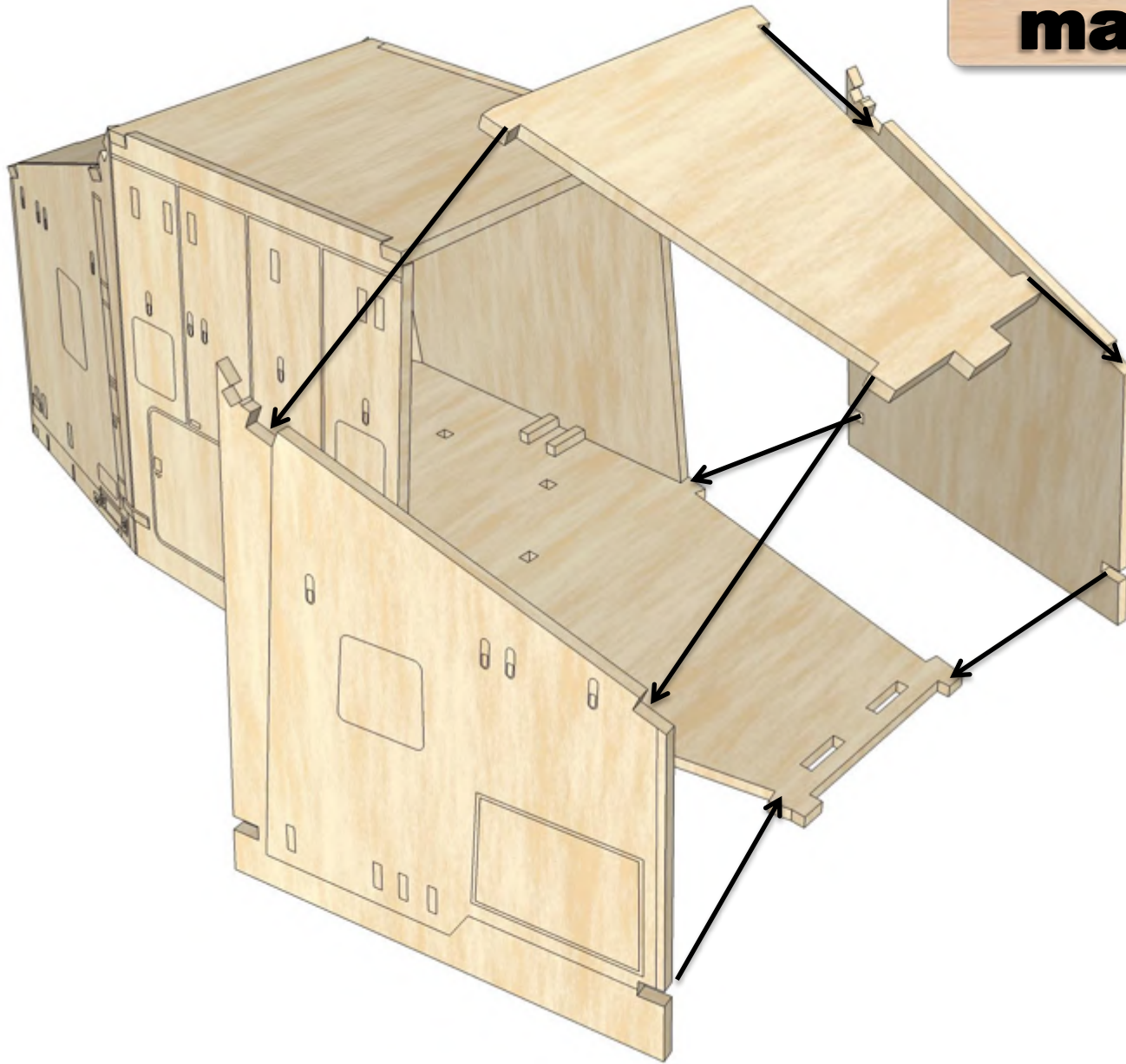
ASSEMBLY STEPS





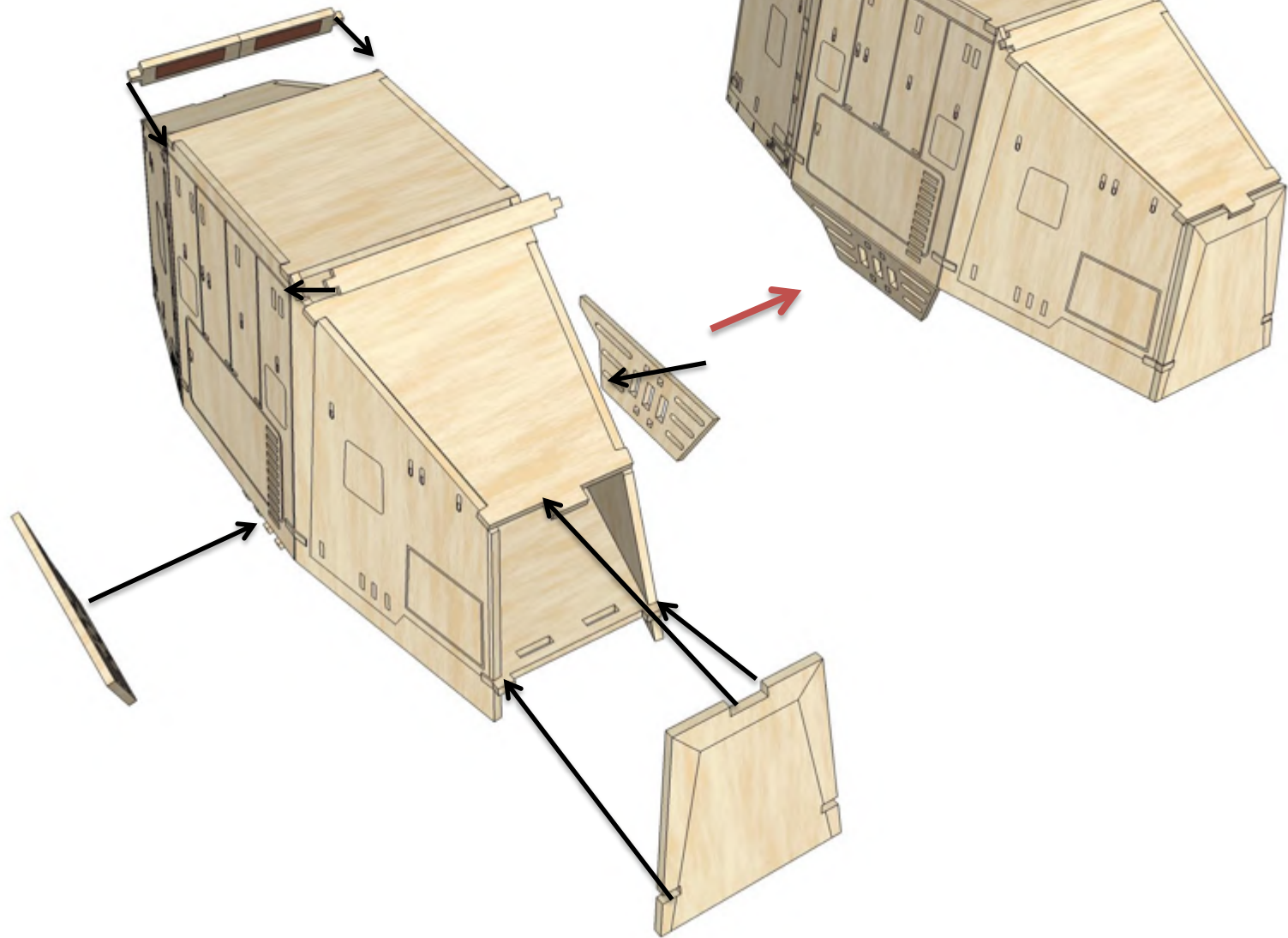
ASSEMBLY STEPS





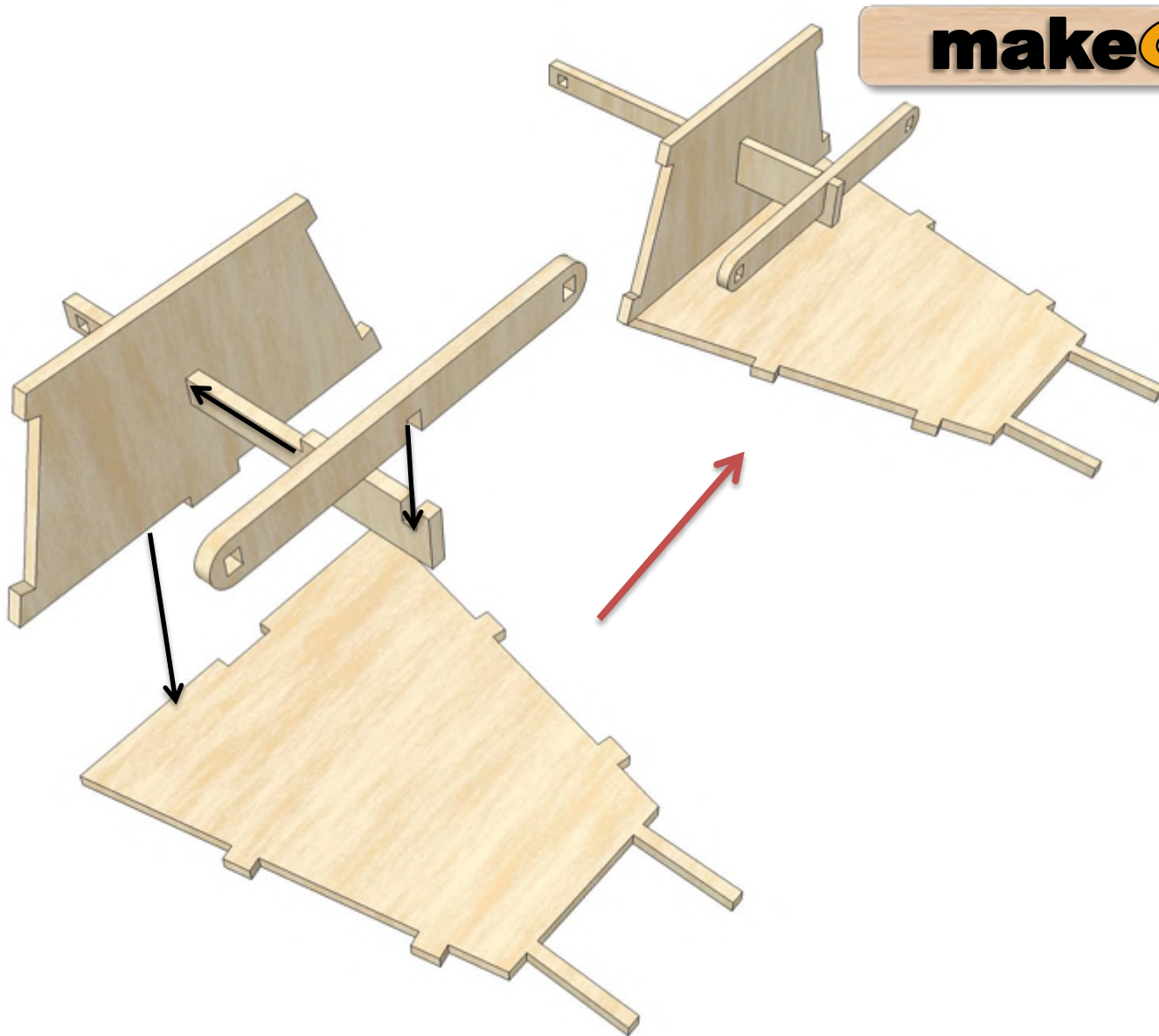
ASSEMBLY STEPS





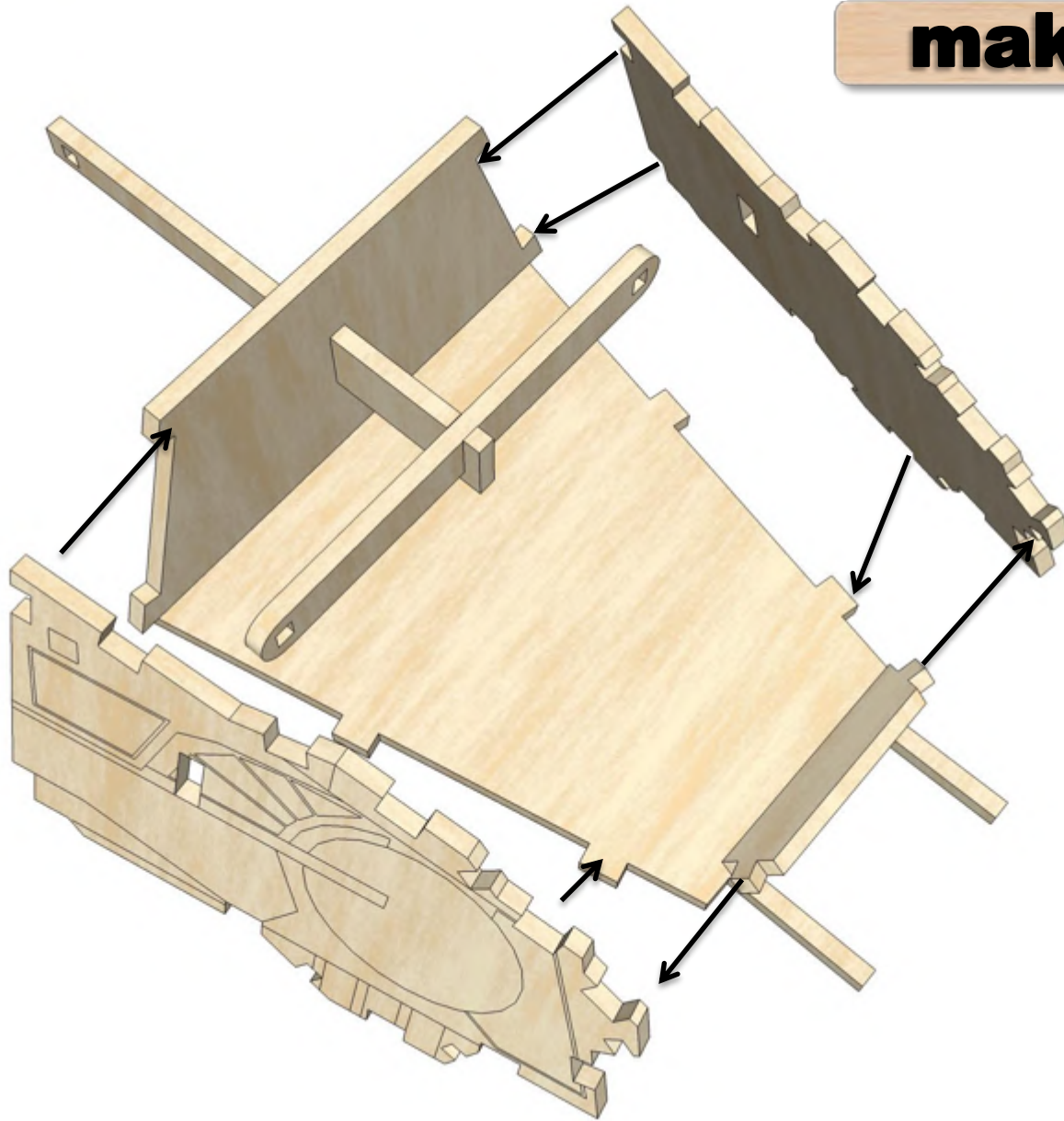
ASSEMBLY STEPS





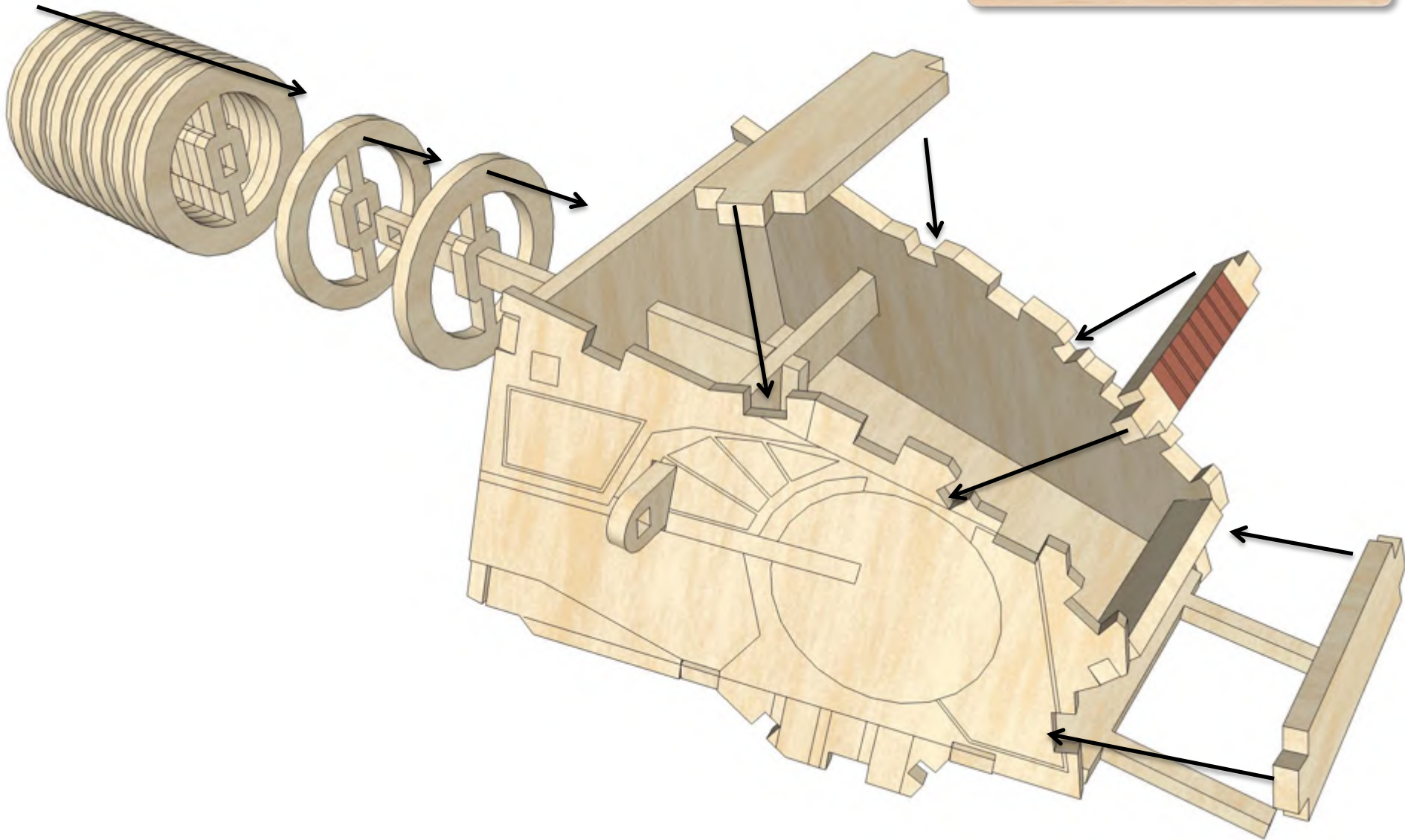
ASSEMBLY STEPS





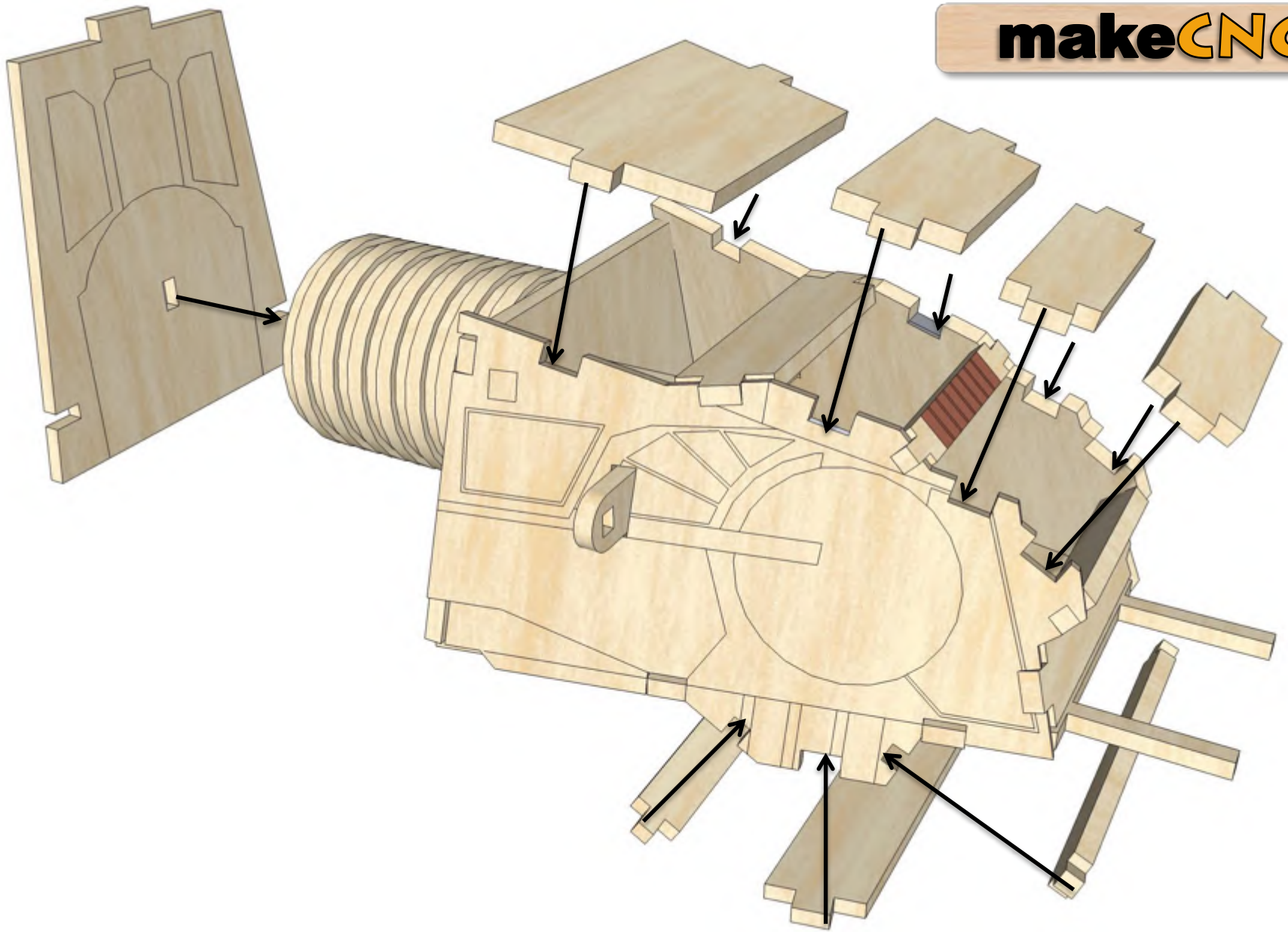
ASSEMBLY STEPS





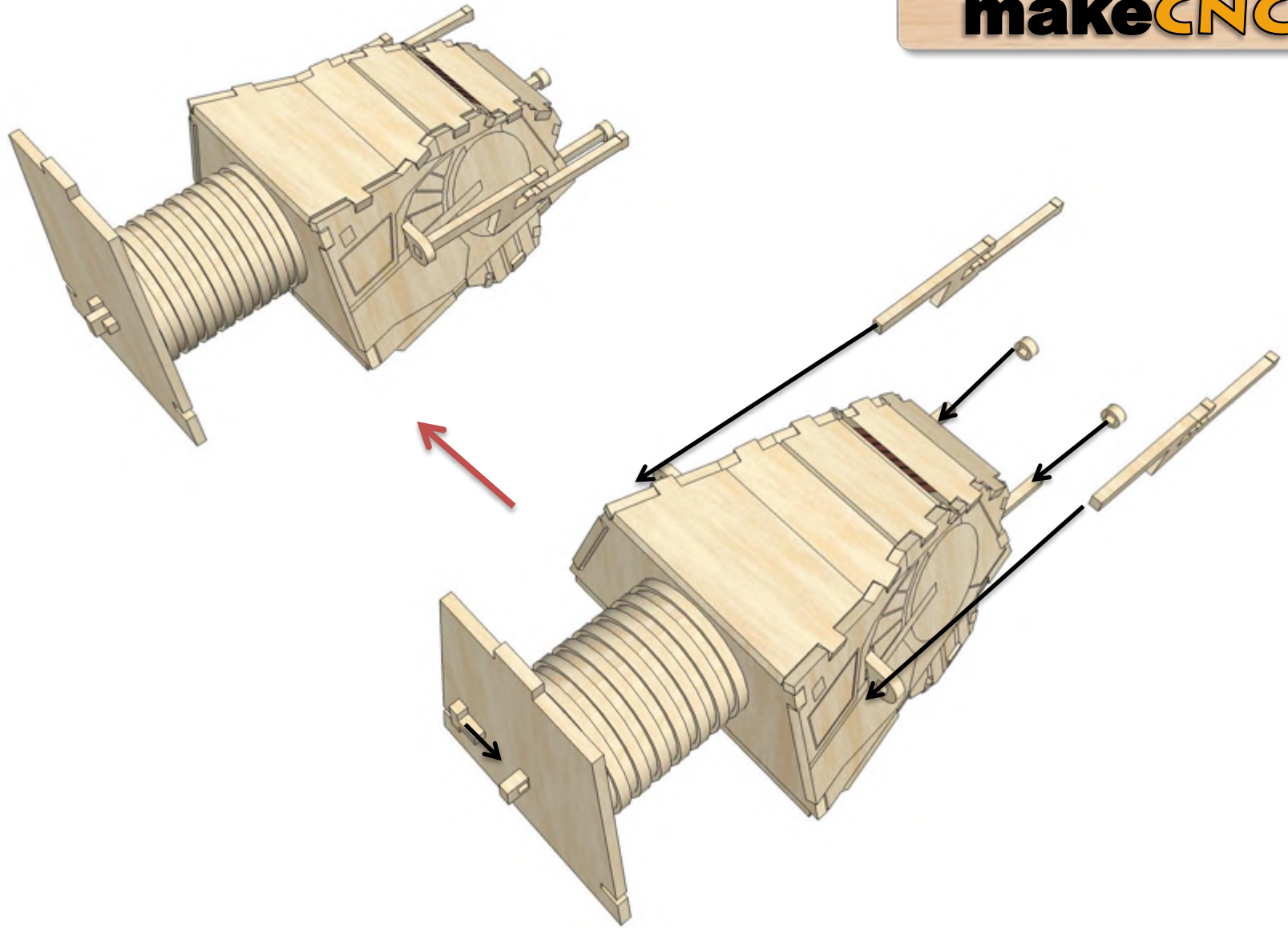
ASSEMBLY STEPS





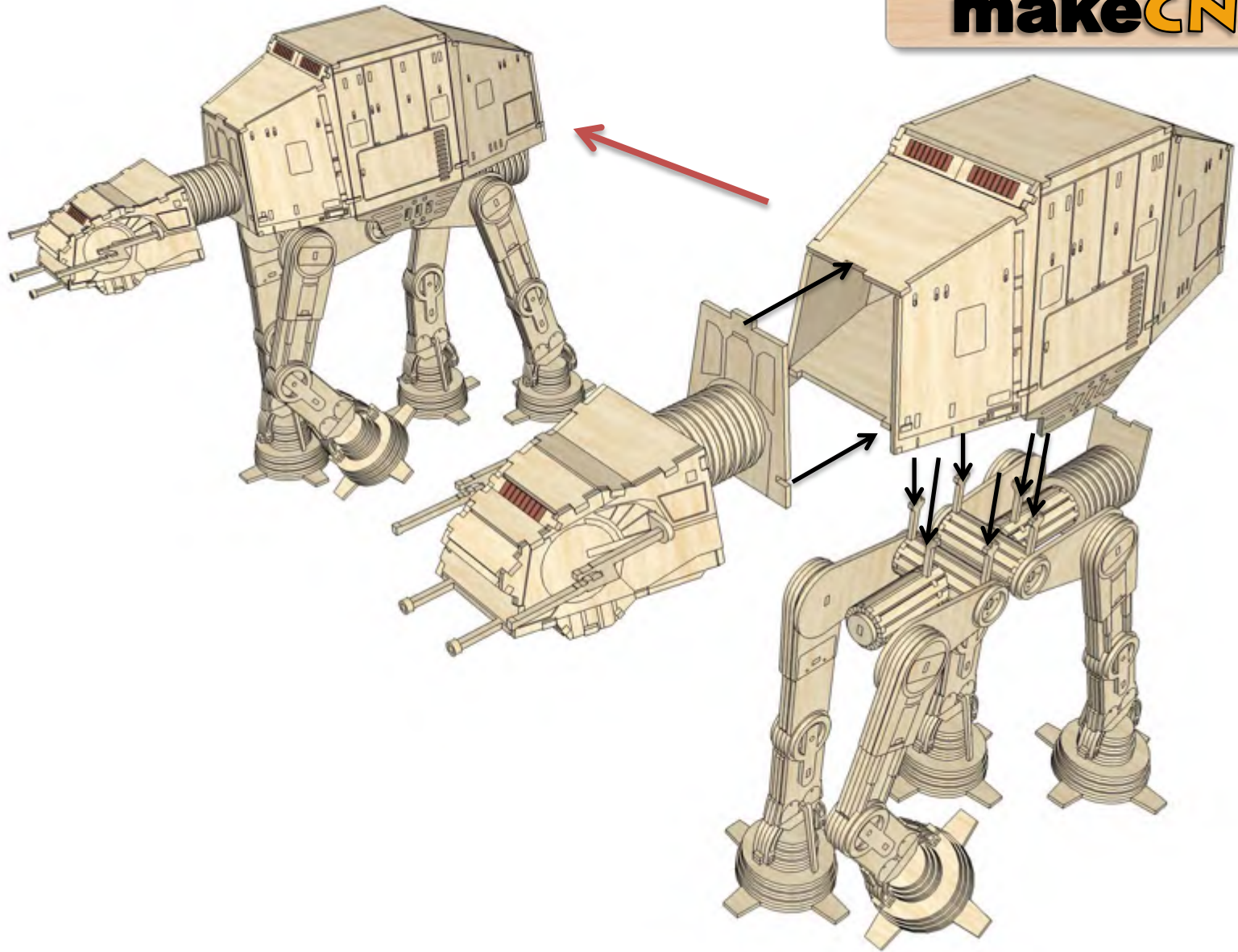
ASSEMBLY STEPS





ASSEMBLY STEPS





ASSEMBLY STEPS





COMPLETED

